

Misting

XM-M
HPN-M
HPM-M
HPV-M
HPV-MO
HPE-M

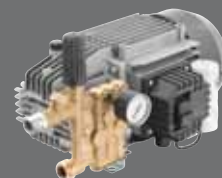
> 101 Accessories
Accessori



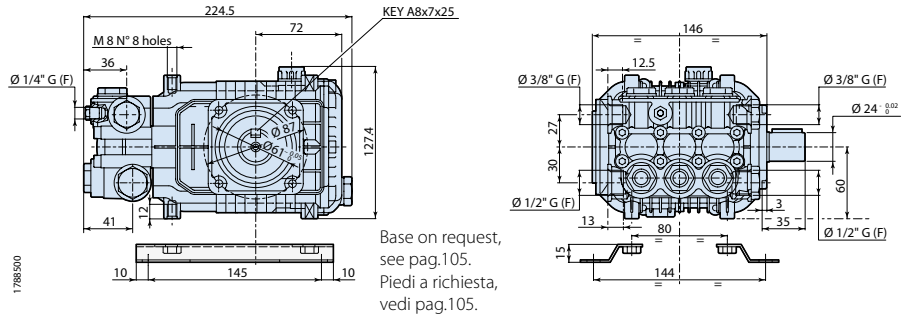
Versions • Versioni

XM-M 1450 rpm
N version ø 24 mm
RC-M 1450 rpm
N version ø 24 mm
RCA-M 1750 rpm
E version ø 5/8"+F8

HPN-M 1450 rpm
HRM-M 1450 rpm
HPV-M 1450 rpm
HPV-MO 1450 rpm
HPE-M 1450 rpm



178 SERIES

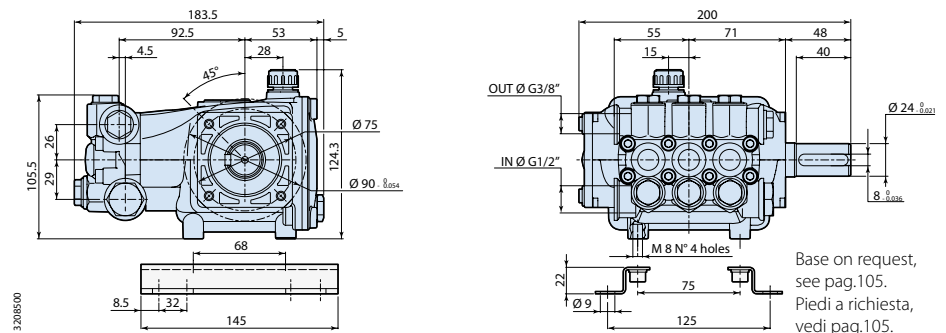


Base on request, see pag.105.
Piedi a richiesta, vedi pag.105.

XM-M 1450 rpm N version ø 24 mm

| Pump - Pompa | Cod. | Output - Portata | | Pressure - Pressione | | Power - Potenza | | RPM | Weight | Price |
|--------------|--------------|------------------|------|----------------------|------|-----------------|-----|------------|--------|---------------|
| | | l/min | gpm | bar | psi | hp | kw | N° giri/1' | Kg | € |
| XM-M 01.10 N | 22092 | 1 | 0.26 | 100 | 1450 | 0,3 | 0,2 | 1450 | 6,5 | 378,00 |
| XM-M 02.10 N | 22093 | 2 | 0.52 | 100 | 1450 | 0,5 | 0,4 | 1450 | 6,5 | 378,00 |
| XM-M 04.10 N | 22094 | 4 | 1.06 | 100 | 1450 | 1 | 0,8 | 1450 | 6,5 | 378,00 |
| XM-M 08.10 N | 22095 | 8 | 2.11 | 100 | 1450 | 2 | 1,5 | 1450 | 6,5 | 378,00 |

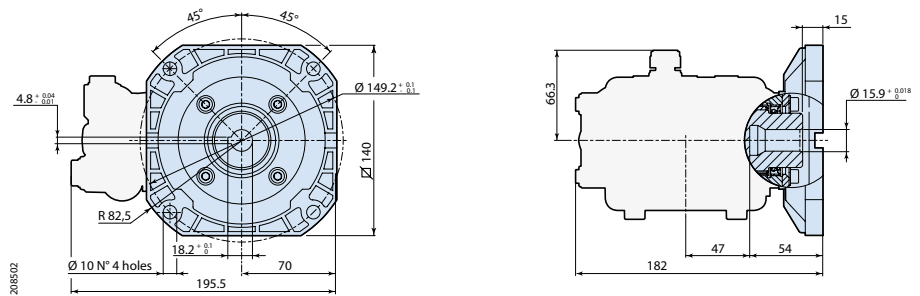
320 SERIES



Base on request, see pag.105.
Piedi a richiesta, vedi pag.105.

RC-M 1450 rpm N version ø 24 mm

| Pump - Pompa | Cod. | Output - Portata | | Pressure - Pressione | | Power - Potenza | | RPM | Weight | Price |
|--------------|--------------|------------------|------|----------------------|------|-----------------|------|------------|--------|---------------|
| | | l/min | gpm | bar | psi | hp | kw | N° giri/1' | Kg | € |
| RC-M 01.10 N | 23441 | 1 | 0.26 | 100 | 1450 | 0.26 | 0,2 | 1450 | 5 | 306,00 |
| RC-M 02.10 N | 23432 | 2 | 0.52 | 100 | 1450 | 0.52 | 0,4 | 1450 | 5 | 306,00 |
| RC-M 03.10 N | 23442 | 3 | 0.80 | 100 | 1450 | 0.78 | 0,58 | 1450 | 5 | 306,00 |
| RC-M 04.10 N | 23083 | 4 | 1.06 | 100 | 1450 | 1.05 | 0,77 | 1450 | 5 | 306,00 |
| RC-M 05.10 N | 23443 | 5 | 1.33 | 100 | 1450 | 1.31 | 0,98 | 1450 | 5 | 306,00 |
| RC-M 06.10 N | 23444 | 6 | 1.58 | 100 | 1450 | 1.57 | 1,17 | 1450 | 5 | 306,00 |



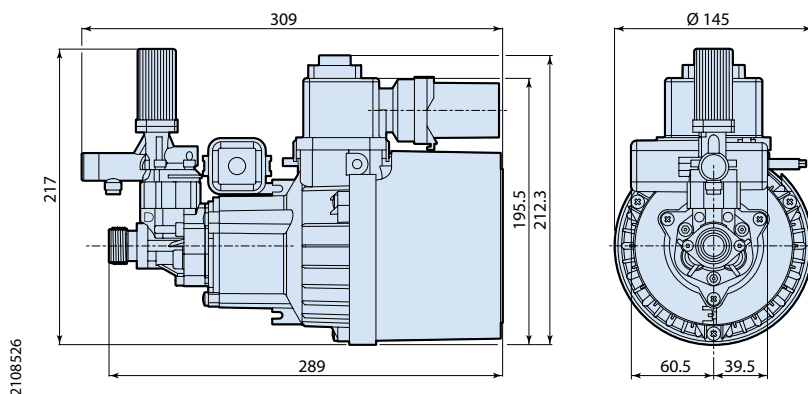
E version Hollow shaft pump / Pompa albero cavo

F8 flange for electric motor NEMA 56-C, 4 poli 60Hz. Flange included.
Flangia F8 per motori elettrici NEMA 56-C, 4 poli 60Hz, flangia inclusa.

RCA-M 1750 rpm E version ø 5/8"+F8

| Pump - Pompa | Cod. | Output - Portata | | Pressure - Pressione | | Power - Potenza | | RPM | Weight | Price |
|----------------|--------------|------------------|------|----------------------|------|-----------------|------|------------|--------|---------------|
| | | l/min | gpm | bar | psi | hp | kw | N° giri/1' | Kg | € |
| RCA-M 0.5G15 E | 23349 | 2 | 0.5 | 100 | 1450 | 0.52 | 0,4 | 1750 | 5,5 | 314,00 |
| RCA-M 1G15 E | 23108 | 4 | 1.06 | 100 | 1450 | 1.26 | 0,93 | 1750 | 5,5 | 314,00 |
| RCA-M 2G15 E | 23445 | 8 | 2.11 | 100 | 1450 | 2.10 | 1,55 | 1750 | 5,5 | 314,00 |

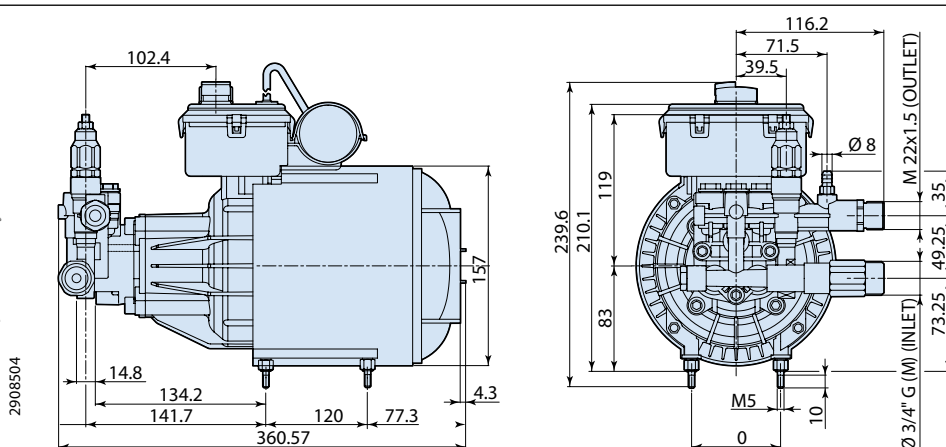
210 SERIES



HPN-M 1450 rpm

| Pump - Pompa | Cod. | Output - Portata | | Pressure - Pressione | | Power - Potenza | | RPM | 1 ~ 50 Hz | Weight | Price |
|--------------|--------------|------------------|------|----------------------|-----|-----------------|-----|------------|-----------|--------|---------------|
| | | l/min | gpm | bar | psi | hp | kw | N° giri/1' | volt | Kg | € |
| HPN-M 08.05 | 22763 | 0,8 | 0.21 | 50 | 725 | 0,5 | 0,7 | 1450 | 230 | 8,8 | 310,00 |

290 SERIES

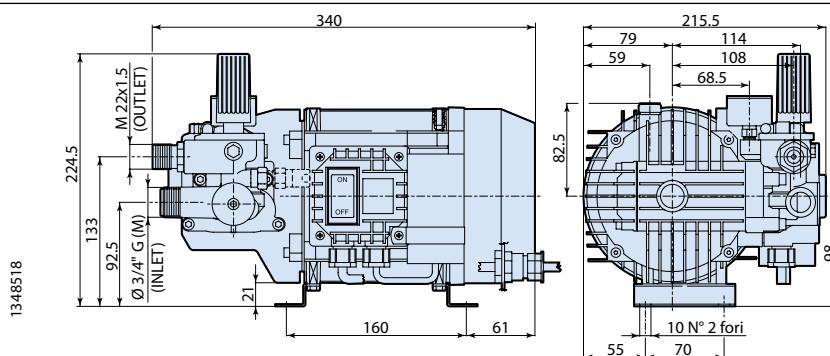


HRM - M 1450 rpm N version ø 24 mm

| Pump - Pompa | Cod. | Output - Portata | | Pressure - Pressione | | Power - Potenza | | RPM | 1 ~ 50 Hz | Weight | Price |
|--------------|--------------|------------------|------|----------------------|------|-----------------|-----|------------|-----------|--------|---------------|
| | | l/min | gpm | bar | psi | hp | kw | N° giri/1' | volt | Kg | € |
| HRM-M 0,5.08 | 24753 | 0,5 | 0.13 | 80 | 1145 | 0.15 | 0,1 | 1450 | 230 | 15 | 456,00 |
| HRM-M 01.08 | 22627 | 1 | 0.26 | 80 | 1145 | 0.3 | 0,2 | 1450 | 230 | 15,5 | 456,00 |
| HRM-M 02.08 | 22628 | 2 | 0.52 | 80 | 1145 | 0.5 | 0,4 | 1450 | 230 | 15,5 | 456,00 |
| HRM-M 04.08 | 22629 | 4 | 1.06 | 80 | 1145 | 1 | 0,8 | 1450 | 230 | 15,5 | 456,00 |

Disponibile anche la versione 115 Volt / 60 Hz - 230 Volt / 60 Hz
Also available the version

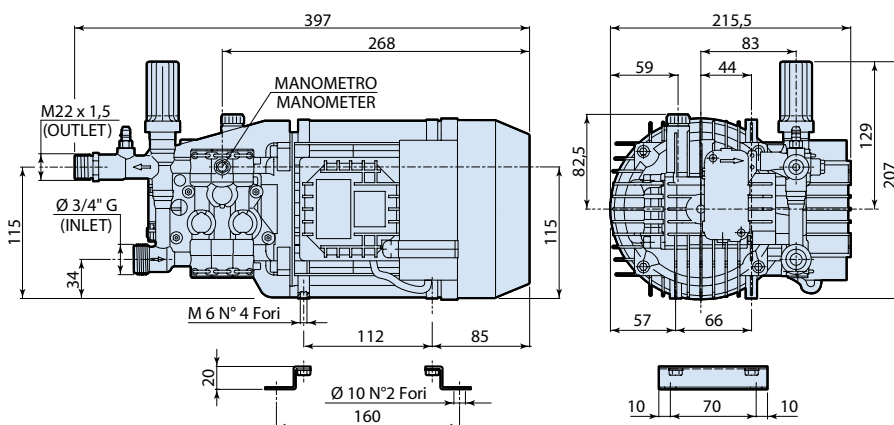
134 SERIES



HPV-M 1450 rpm

| Pump - Pompa | Cod. | Output - Portata | | Pressure - Pressione | | Power - Potenza | | RPM | 1 ~ 50 Hz | Weight | Price |
|--------------|--------------|------------------|------|----------------------|------|-----------------|-----|------------|-----------|--------|---------------|
| | | l/min | gpm | bar | psi | hp | kw | N° giri/1' | volt | Kg | € |
| HPV-M 1,3.08 | 22123 | 1,3 | 0.34 | 80 | 1145 | 0.8 | 0,6 | 1450 | 230 | 13,8 | 558,00 |

134 SERIES

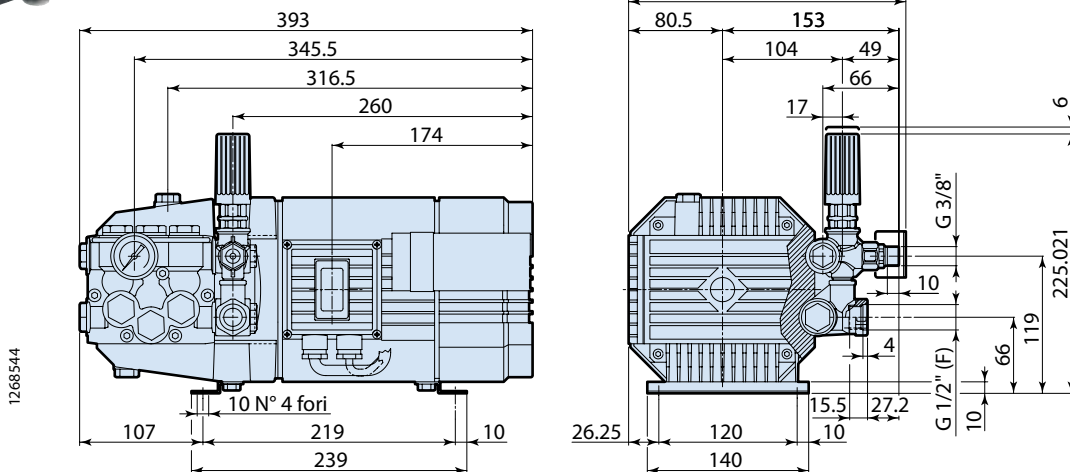


1348534

HPV-M O 1450 rpm

| Pump - Pompa | Cod. | Output - Portata | | Pressure - Pressione | | Power - Potenza | | RPM | 1 ~ 50 Hz | Weight | Price |
|----------------|--------------|------------------|------|----------------------|------|-----------------|-----|------|-----------|--------|---------------|
| | | l/min | gpm | bar | psi | hp | kw | | | | |
| HPV-M O 1,3.10 | 23907 | 1,3 | 0,34 | 100 | 1450 | 0.8 | 0,6 | 1450 | 230 | 14,5 | 587,00 |

126 SERIES



1268544

HPE-M 1450 rpm

| Pump - Pompa | Cod. | Output - Portata | | Pressure - Pressione | | Power - Potenza | | RPM | 1 ~ 50 Hz | Weight | Price |
|--------------|--------------|------------------|------|----------------------|------|-----------------|------|------|-----------|--------|---------------|
| | | l/min | gpm | bar | psi | hp | kw | | | | |
| HPE-M 02.08 | 22096 | 2 | 0.52 | 80 | 1145 | 0,5 | 0,35 | 1450 | 230 | 22 | 740,00 |
| HPE-M 04.08 | 22097 | 4 | 1.06 | 80 | 1145 | 1 | 0,7 | 1450 | 230 | 22 | 740,00 |
| HPE-M 06.08 | 22838 | 6 | 1.58 | 80 | 1145 | 1 | 0,7 | 1450 | 230 | 22 | 740,00 |
| HPE-M 08.08 | 22098 | 8 | 2.11 | 80 | 1145 | 1,8 | 1,35 | 1450 | 230 | 22 | 740,00 |
| HPE-M 11.07 | 22895 | 11 | 2.90 | 70 | 1015 | 2,2 | 1,65 | 1450 | 230 | 22 | 740,00 |
| HPE-M 13.06 | 22896 | 13 | 3.43 | 60 | 870 | 2,2 | 1,65 | 1450 | 230 | 22 | 740,00 |