

Contractor 600

RTX
RTP
RTJ
RTF

> 101 Accessories
Accessori



Versions • Versioni

RTX 1450 rpm
N version \varnothing 30X80 mm

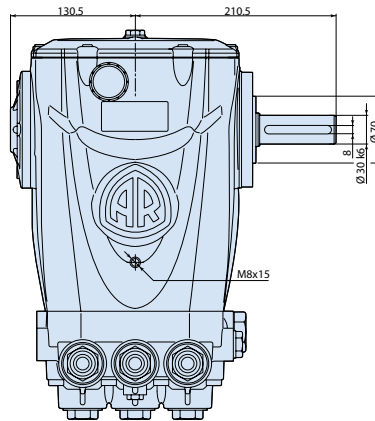
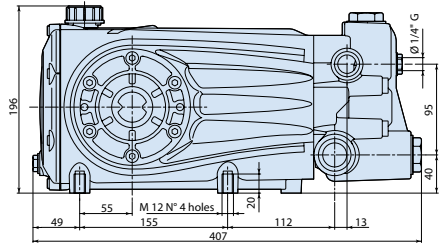
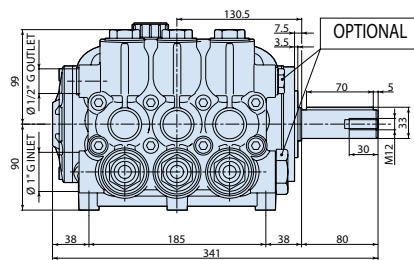
RTP 1000 rpm
N version \varnothing 35 mm

RTJ 1000 rpm
N version \varnothing 35 mm

RTF 800 rpm
N version \varnothing 35 mm



366 SERIES



3668500

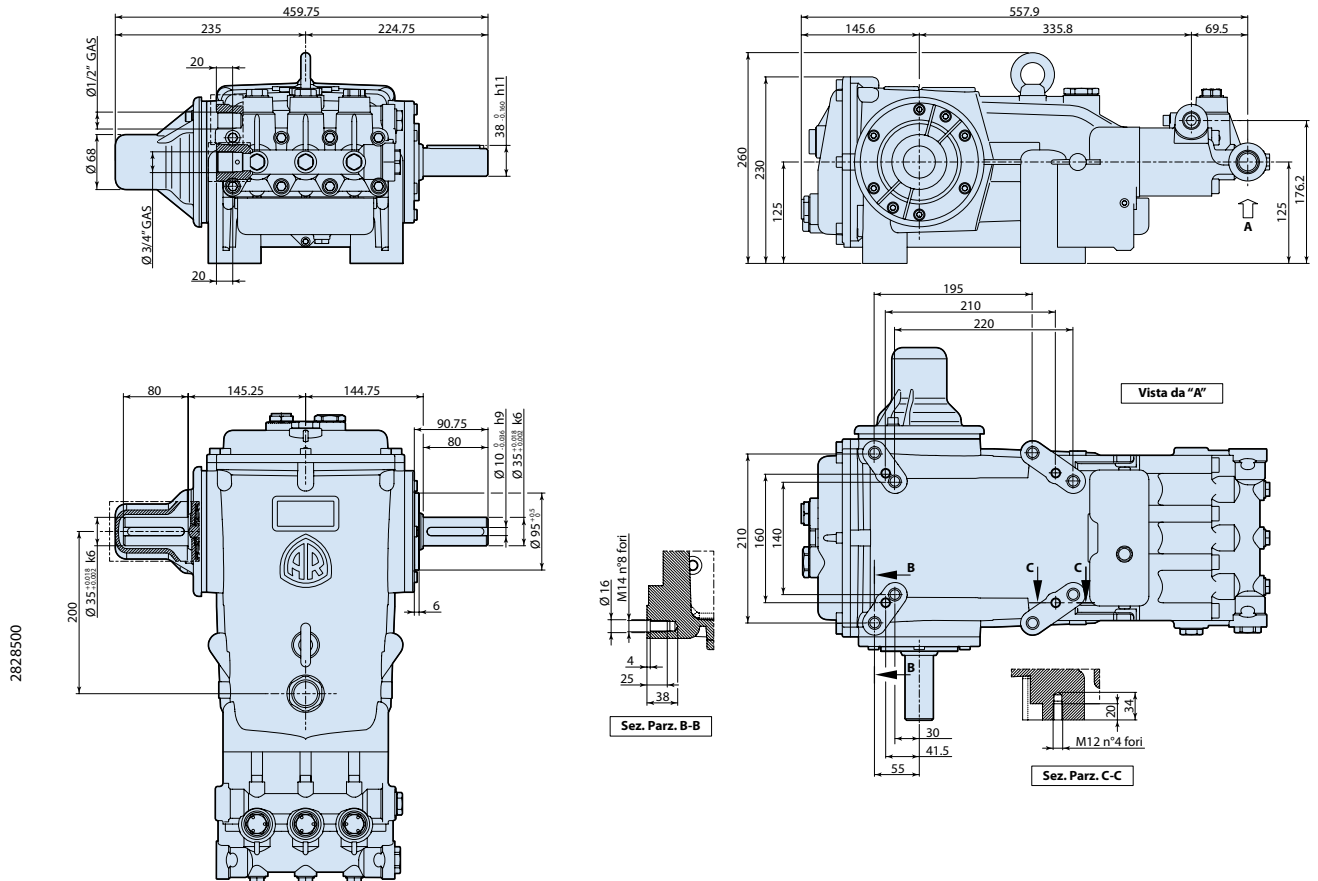
Contractor 600

N version Solid shaft pump / Pompa albero maschio

RTX 1450 rpm N version ø 30X80 mm

Pump - Pompa	Cod.	Output - Portata		Pressure - Pressione		Power - Potenza		RPM	Weight	Price
		l/min	gpm	bar	psi	hp	kw	N° giri/1'	Kg	€
RTX 30.300	24448	30	7,92	300	4350	25	18,6	1450	32,5	2.158,00
RTX 50.200	24447	50	13,2	200	2900	25	18,6	1450	32,5	2.158,00
RTX 70.150	24446	70	18,5	150	2200	30	22	1450	32,5	2.158,00
RTX 100.120	24445	100	26,4	120	1740	30	22	1450	32,5	2.158,00

282 S E R I E S

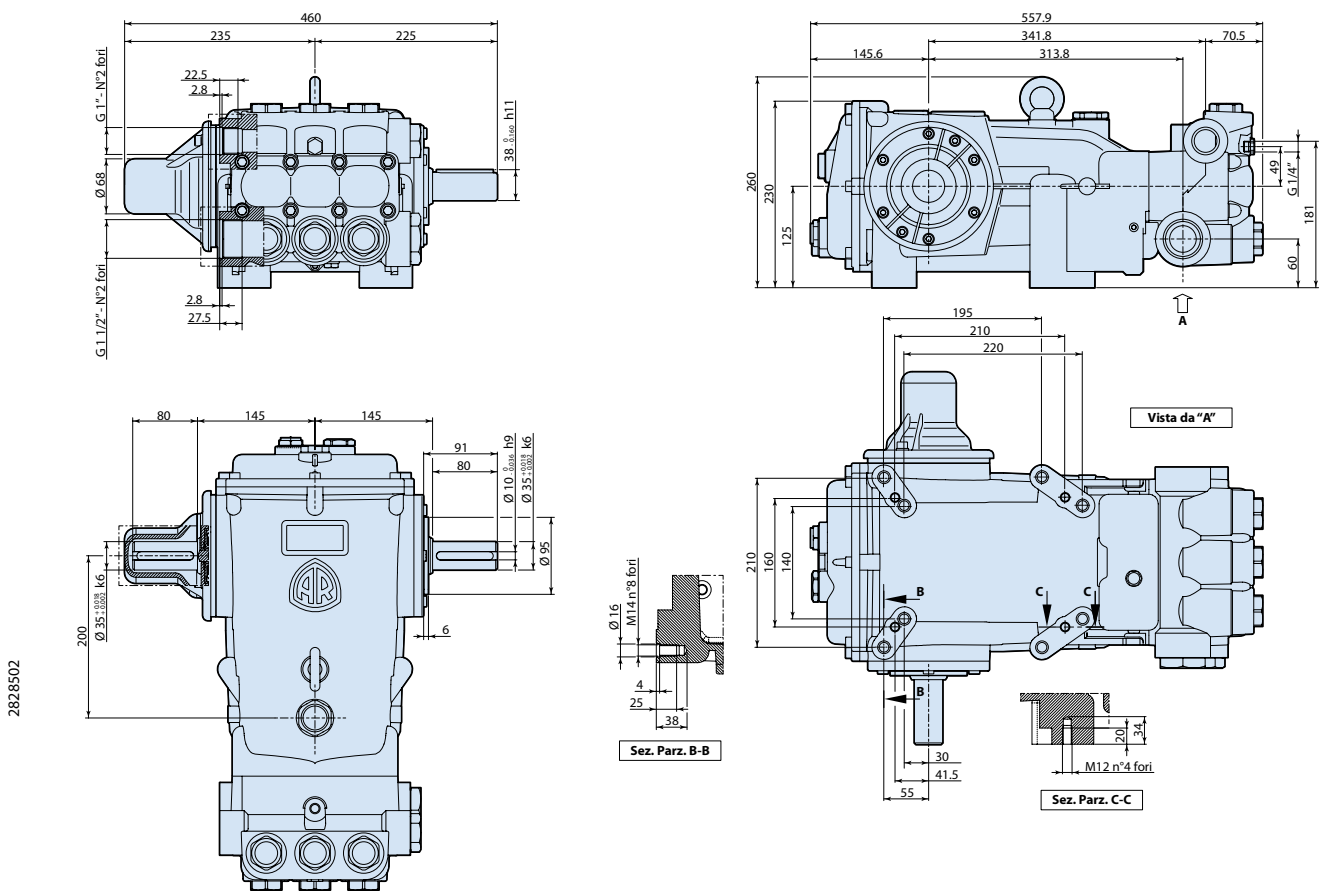


N version Solid shaft pump / Pompa albero maschio

RTP 1000 rpm N version ø 35 mm

Pump - Pompa	Cod.	Output - Portata		Pressure - Pressione		Power - Potenza		RPM	Weight	Price
		l/min	gpm	bar	psi	hp	kw	N° giri/1'	Kg	€
RTP 30.500	22215	30	7.92	500	7250	40	30	1000	78	4.854,00
RTP 38.500	22216	38	10	500	7250	51	38	1000	78	4.854,00
RTP 30.600 *	22982	30	7.92	600	8702	48	36	1000	78	5.004,00

* On request available AISI 420 stainless steel head - A richiesta disponibile con testa in acciaio AISI 420.

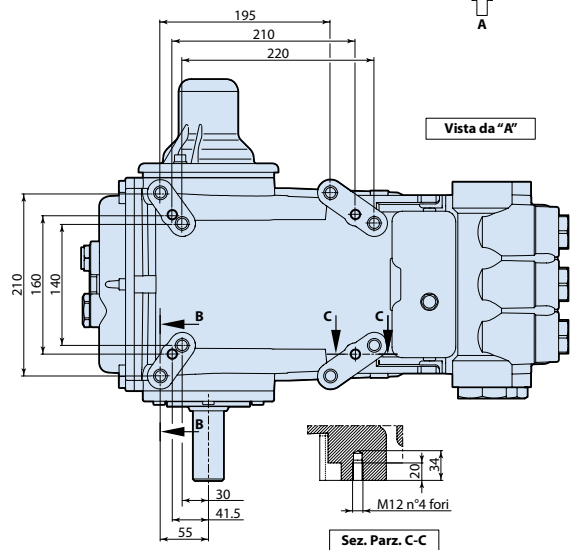
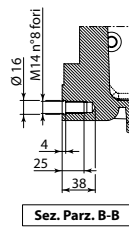
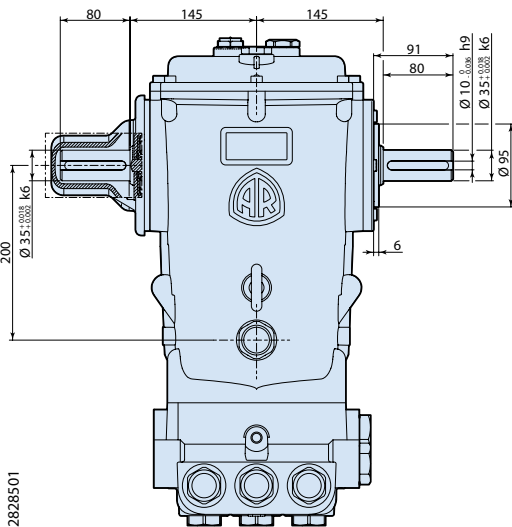
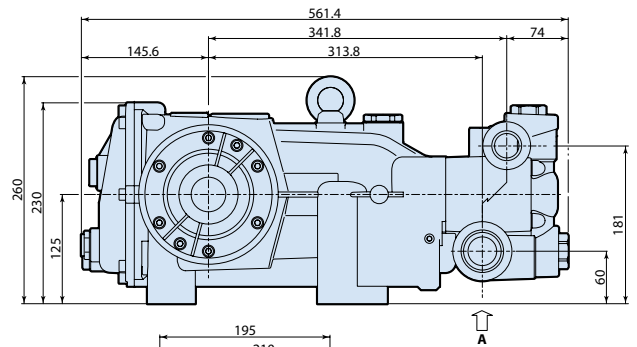
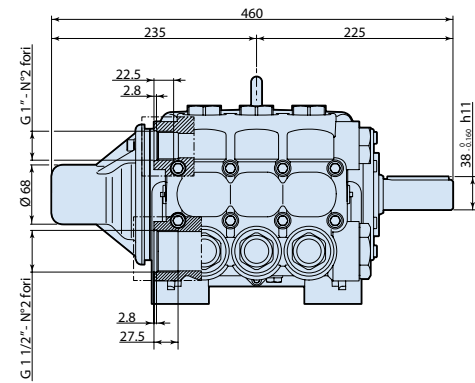


N version Solid shaft pump / Pompa albero maschio

RTJ 1000 rpm N version \varnothing 35 mm

Pump - Pompa	Cod.	Output - Portata		Pressure - Pressione		Power - Potenza		RPM	Weight	Price
		l/min	gpm	bar	psi	hp	kw	N° giri/1'	Kg	€
RTJ 70.275	22817	70	18,5	275	4000	51	38	1000	90	5.388,00

282 SERIES



N version Solid shaft pump / Pompa albero maschio

RTF 800 rpm N version \varnothing 35 mm

Pump - Pompa	Cod.	Output - Portata		Pressure - Pressione		Power - Potenza		RPM	Weight	Price
		l/min	gpm	bar	psi	hp	kw	N° giri/1'	Kg	€
RTF 135.100	22217	135	35.7	100	1450	35	26	800	90	5.198,00
RTF 150.100	24381	150	39.6	100	1450	39	29	800	90	5.198,00