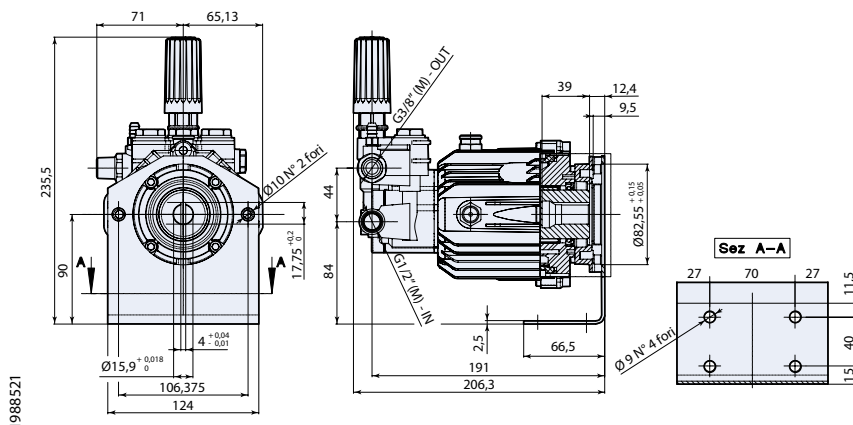


# Hydraulic Drive

> 101 Accessories  
Accessori

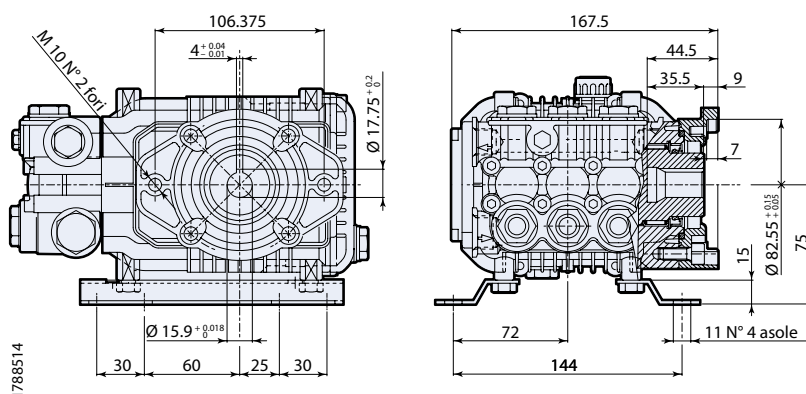


## 198 SERIES



HYDRAULIC DRIVE										
Pump type Tipo pompa	Code Codice	Output Portata		Pressure Pressione		Power Potenza		RPM	Peso Weight	Price Prezzo
		l/min	gpm	bar	psi	hp	kw			
XJS 11.14 + F39	<b>21597</b>	11	2.90	140	2030	4	3	2800	3	<b>370,00</b>

## 178 SERIES



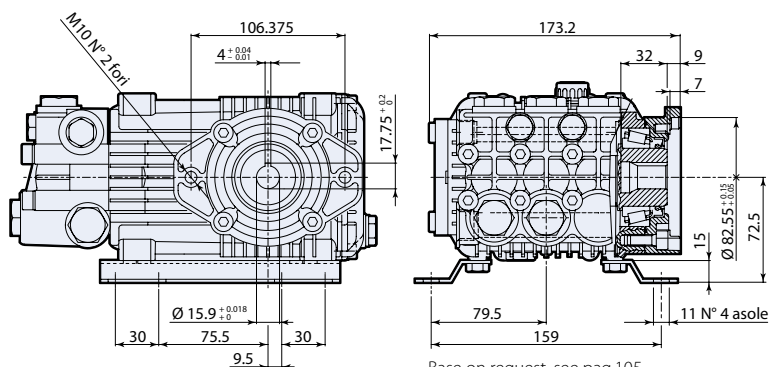
Base on request, see pag.105.  
Piedi a richiesta, vedi pag.105.

HYDRAULIC DRIVE										
Pump type Tipo pompa	Code Codice	Output Portata		Pressure Pressione		Power Potenza		RPM	Peso Weight	Price Prezzo
		l/min	gpm	bar	psi	hp	kw			
XM 15.15 + F38	<b>21598</b>	15	3.96	150	2200	5,5	4	1450	3,2	<b>401,00</b>

# 228 SERIES



2288508



Base on request, see pag.105.  
Piedi a richiesta, vedi pag.105.

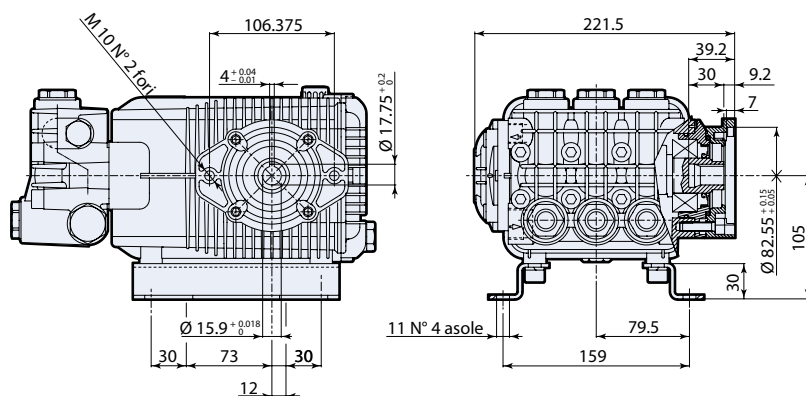
## HYDRAULIC DRIVE

Pump type Tipo pompa	Code Codice	Output Portata		Pressure Pressione		Power Potenza		RPM	Peso Weight	Price Prezzo
		l/min	gpm	bar	psi	hp	kw			
RK 15.15 + F38	<b>21599</b>	15	3.96	150	2200	5,5	4	1450	3,2	<b>536,00</b>
RK 15.20 + F38	<b>21600</b>	15	3.96	200	2900	7,5	5,5	1450	3,2	<b>536,00</b>
RK 21.15 + F38	<b>22086</b>	21	5.55	150	2200	7,5	5,5	1450	3,2	<b>536,00</b>

# 194 SERIES



1948517



Base on request, see pag.105.  
Piedi a richiesta, vedi pag.105.

## HYDRAULIC DRIVE

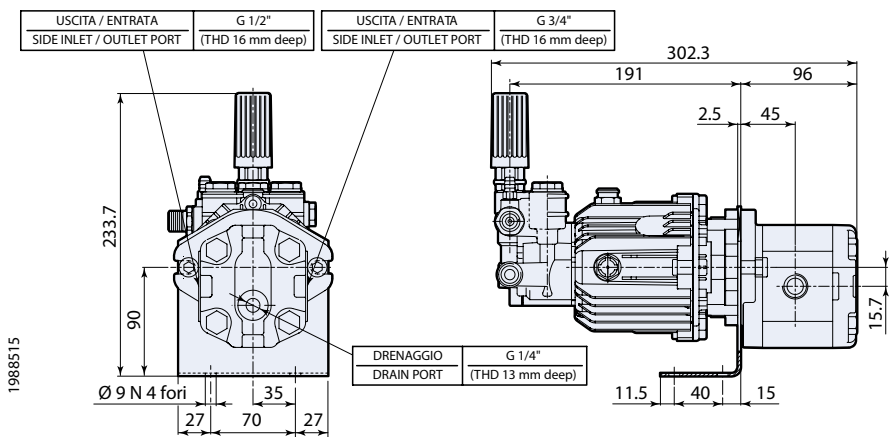
Pump type Tipo pompa	Code Codice	Output Portata		Pressure Pressione		Power Potenza		RPM	Peso Weight	Price Prezzo
		l/min	gpm	bar	psi	hp	kw			
XW 30.10 + F38	<b>21601</b>	30	7.92	100	1450	7,5	5,5	1450	3,4	<b>1.005,00</b>
XW 30.15 + F38	<b>22318</b>	30	7.92	150	2200	10	7,5	1450	3,4	<b>1.005,00</b>

## RECOMMENDED ACCESSORIES • ACCESSORI CONSIGLIATI

Model type Modello tipo	Pressure regulating valve Valvola di regolazione		Pressure gauge Manometro		16 mt. high pressure hose Tubo mandata 16 mt		Gun kit Kit pistola		Lance (70cm) with wash nozzle Lancia 70cm con ugello	
	cod.	€	cod.	€	cod.	€	cod.	€	cod.	€
HYD-XJS 11.14	(*)	-	3223	<b>22,00</b>	1271900	<b>239,00</b>	41046	<b>53,00</b>	40832	<b>38,00</b>
HYD-XM 15.15	20080	<b>86,00</b>	3223	<b>22,00</b>	1271900	<b>239,00</b>	41046	<b>53,00</b>	40833	<b>38,00</b>
HYD-RK 15.15	20080	<b>86,00</b>	1381580	<b>24,00</b>	1271900	<b>239,00</b>	41046	<b>53,00</b>	40833	<b>38,00</b>
HYD-RK 15.20	20080	<b>86,00</b>	1381580	<b>24,00</b>	1271900	<b>239,00</b>	41046	<b>53,00</b>	40834	<b>38,00</b>
HYD-RK 21.15	20080	<b>86,00</b>	1381580	<b>24,00</b>	1271900	<b>239,00</b>	41046	<b>53,00</b>	40835	<b>38,00</b>
HYD-XW 30.10	20802	<b>89,00</b>	1381580	<b>24,00</b>	1271900	<b>239,00</b>	41046	<b>53,00</b>	40836	<b>38,00</b>
HYD-XW 30.15	20802	<b>89,00</b>	1381580	<b>24,00</b>	1271900	<b>239,00</b>	41046	<b>53,00</b>	40837	<b>38,00</b>

(\*) Built-in pressure control valve · Valvola regolazione integrata

# 198 SERIES

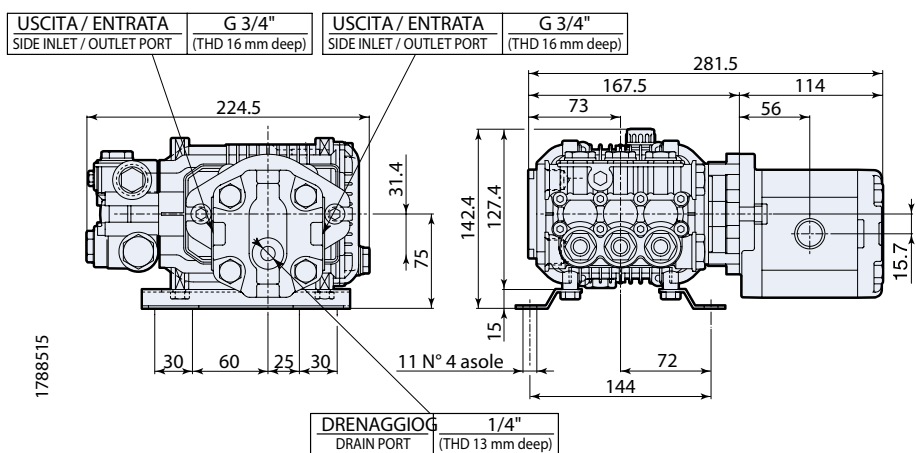


## HYD - XJS

Model type Modello tipo	Code Codice	HP piston pump • Pompa a pistoni					Hydraulic Motor • Motore idraulico							Peso Weight	Price Prezzo
		Output Portata		Pressure Pressione		RPM	Mot. Sauer Danfoss		Capacity Cilindrata	Pressure Pressione	Flow Portata	Power Potenza	RPM		
		l/min	gpm	bar	psi	N° giri/1'	Type/tipo	cod.	cm <sup>3</sup>	bar	l/min	hp	N° giri/1'		

HYD XJS 11.14 **21602** 11 2.90 140 2030 2800 **SNM2NN/8,0BN06** 4768 8,3 123 24,5 4 2800 5 **979,00**  
**GAM1F4F4N**

# 178 SERIES

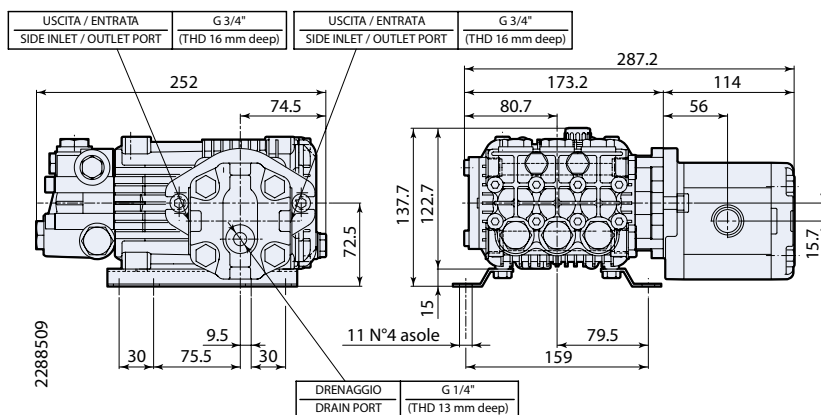


## HYD - XM

Model type Modello tipo	Code Codice	HP piston pump • Pompa a pistoni					Hydraulic Motor • Motore idraulico							Peso Weight	Price Prezzo
		Output Portata		Pressure Pressione		RPM	Mot. Sauer Danfoss		Capacity Cilindrata	Pressure Pressione	Flow Portata	Power Potenza	RPM		
		l/min	gpm	bar	psi	N° giri/1'	Type/tipo	cod.	cm <sup>3</sup>	bar	l/min	hp	N° giri/1'		

HYD-XM 15.15 **21603** 15 3.96 150 2200 1450 **SNM2NN/019** 4769 19,2 105 29 5.5 1450 6,7 **1.086,00**  
**BN06GAM1F5F5N**

# 228 SERIES

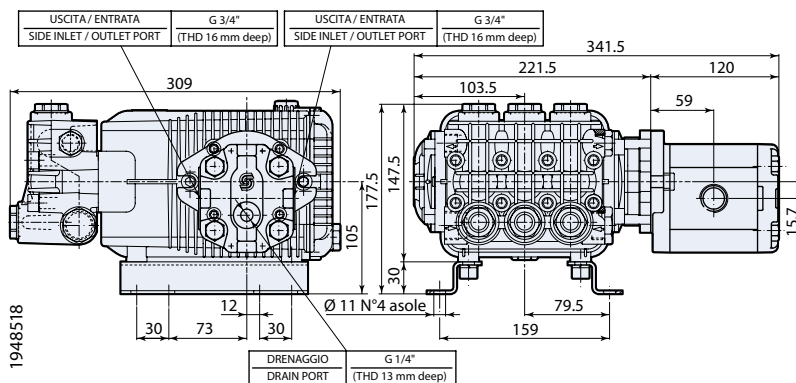


## HYD - RK

Model type Modello tipo	Code Codice	HP piston pump • Pompa a pistoni					Hydraulic Motor • Motore idraulico							Peso Weight	Price Prezzo
		Output Portata		Pressure Pressione		RPM	Mot. Sauer Danfoss		Capacity Cilindrata	Pressure Pressione	Flow Portata	Power Potenza	RPM		
		l/min	gpm	bar	psi	N° giri/1'	Type/tipo	cod.	cm³	bar	l/min	hp	N° giri/1'		
HYD-RK 15.15	<b>21604</b>	15	3.96	150	2200	1450	SNM2NN/019 BN06GAM1F5F5N	4769	19,2	105	29	5.5	1450	9,7	<b>1.156,00</b>
HYD-RK 15.20	<b>21605</b>	15	3.96	200	2900	1450	SNM2NN/019 BN06GAM1F5F5N	4769	19,2	175	29	7.5	1450	9,7	<b>1.156,00</b>
HYD-RK 21.15	<b>22087</b>	21	5.55	150	2200	1450	SNM2NN/019 BN06GAM1F5F5N	4769	19,2	175	29	7.5	1450	9,7	<b>1.156,00</b>

On request available Hydraulic Motor type: Casappa - Marzocchi - A richiesta disponibili motori idraulici Casappa - Marzocchi

# 194 SERIES



## HYD - XW · HYD - XWL

Model type Modello tipo	Code Codice	HP piston pump • Pompa a pistoni					Hydraulic Motor • Motore idraulico							Peso Weight	Price Prezzo
		Output Portata		Pressure Pressione		RPM	Mot. Sauer Danfoss		Capacity Cilindrata	Pressure Pressione	Flow Portata	Power Potenza	RPM		
		l/min	gpm	bar	psi	N° giri/1'	Type/tipo	cod.	cm³	bar	l/min	hp	N° giri/1'		
HYD-XW 30.10	<b>21606</b>	30	7.92	100	1450	1450	SNM2NN/022 BN06GAM1F5F5N	4770	22,8	125	36	7.5	1450	16,2	<b>1.642,00</b>
HYD-XW 30.15	<b>22694</b>	30	7.92	150	2200	1450	SNM2NN/022 BN06GAM1F5F5N	4770	22,8	180	36	12	1450	16,2	<b>1.642,00</b>
<b>NEW</b> HYD-XWL 50.09	<b>25049</b>	50	13.2	90	1300	1450	SNM2NN/022 BN06GAM1F5F5N	4770	22,8	180	36	12	1450	16,2	<b>1.668,00</b>

On request available Hydraulic Motor type: Casappa - Marzocchi - A richiesta disponibili motori idraulici Casappa - Marzocchi