

Car Wash

RCW
CWX
RTF
RTX

> 101 Accessories
Accessori



Versions • Versioni

RCW

950 rpm
1450 rpm
N version ø 24 mm

CWX

950 rpm
1200 rpm
1750 rpm
N version ø 24 mm

RTF

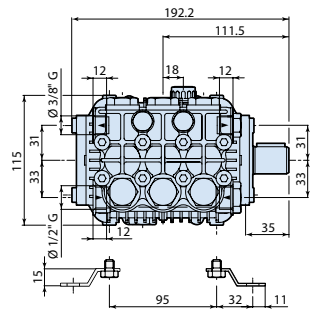
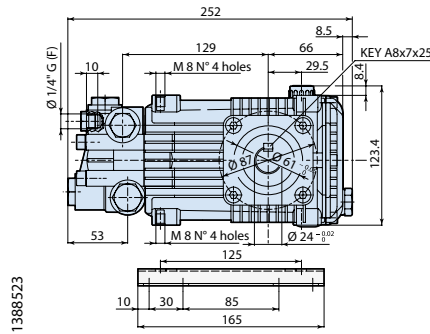
800 rpm
N version ø 35 mm

RTX

1450 rpm
N version ø 30X80 mm



228 SERIES



Base on request, see pag.105.
Piedi a richiesta, vedi pag.105.

N version Solid shaft pump / Pompa albero maschio

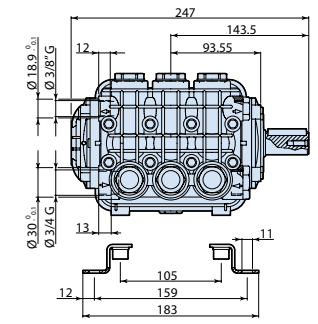
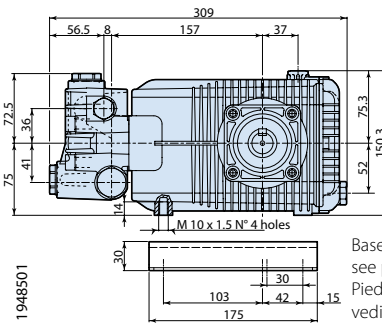
RCW 950 rpm N version ø 24 mm

Pump - Pompa	Cod.	Output - Portata		Pressure - Pressione		Power - Potenza		RPM N° giri/1'	Weight Kg	Price €
		l/min	gpm	bar	psi	hp	kw			
RCW 10.15 N	20825	10	2.64	150	2200	4	3	950	9,5	584,00
RCW 15.14 N	20826	15	3.96	140	2000	5.5	4	950	9,5	584,00

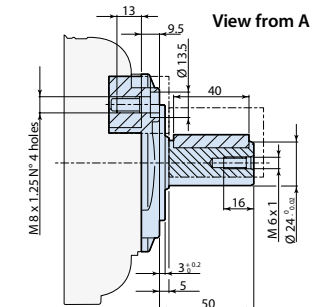
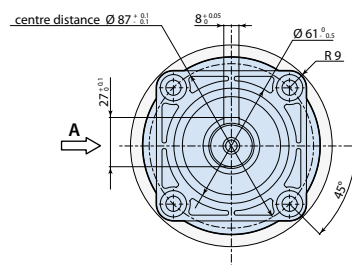
RCW 1450 rpm N version ø 24 mm

RCW 11.10 N	20827	11	2.90	100	1450	3	2,2	1450	9,5	584,00
RCW 15.15 N	20828	15	3.96	150	2200	5.5	4	1450	9,5	584,00
RCW 15.20 N	20833	15	3.96	200	2900	7.5	5,5	1450	9,5	584,00

194 SERIES



Base on request, see pag.105.
Piedi a richiesta, vedi pag.105.

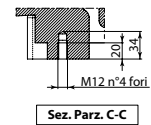
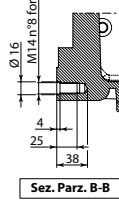
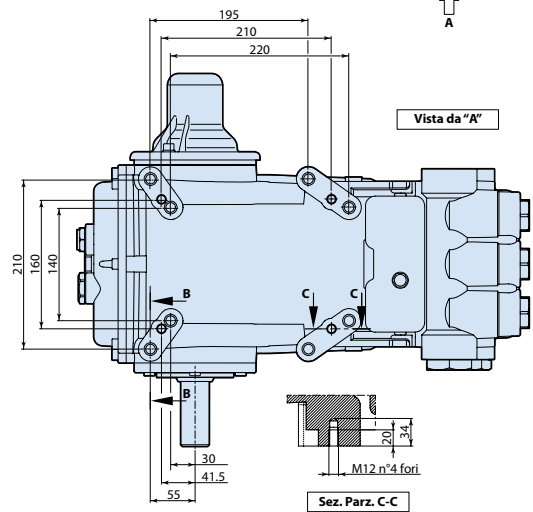
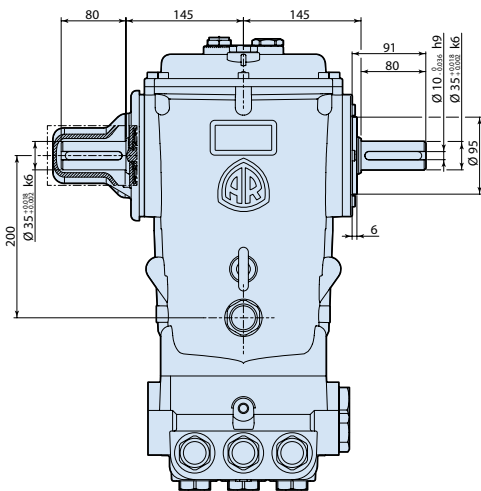
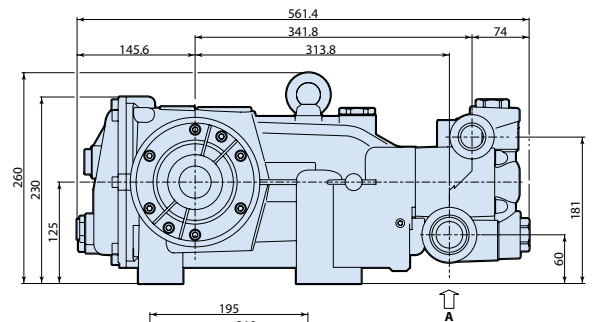
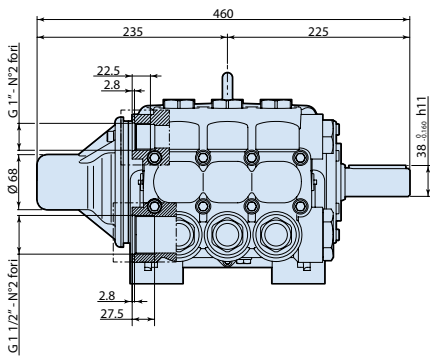


N version Solid shaft pump / Pompa albero maschio

CWX 950 -1200 - 1750 rpm N version ø 24 mm

Pump - Pompa	Cod.	Output - Portata		Pressure - Pressione		Power - Potenza		RPM N° giri/1'	Weight Kg	Price €
		l/min	gpm	bar	psi	hp	kw			
CWX 15.17 N	20472	15	3.96	170	2500	7.5	5,2	950	16	812,00
CWX 18.10 N	20473	18	4.75	100	1450	5.5	3,6	1200	16	812,00
CWX 15.17 N	20474	15	3.96	170	2500	7.5	5,2	1750	16	812,00

282 SERIES



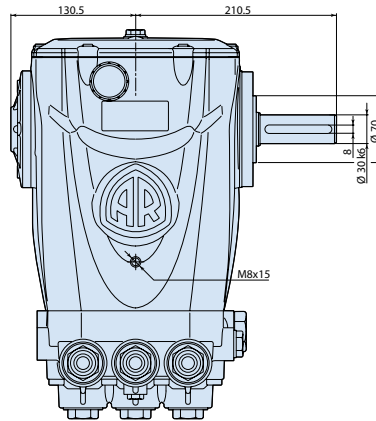
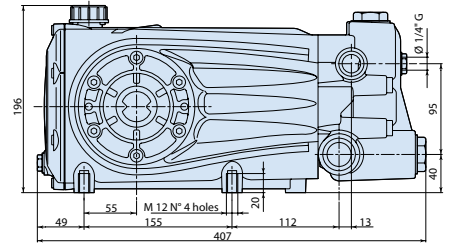
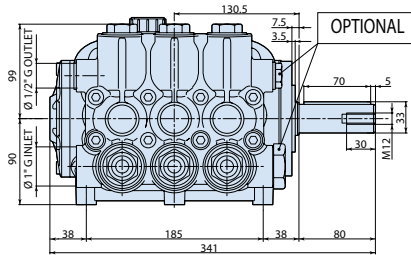
2828501

N version Solid shaft pump / Pompa albero maschio

RTF 800 rpm N version ø 35 mm

Pump - Pompa	Cod.	Output - Portata		Pressure - Pressione		Power - Potenza		RPM	Weight	Price
		l/min	gpm	bar	psi	hp	kw	N° giri/1'	Kg	€
RTF 135.100	22217	135	35.7	100	1450	35	26	800	90	5.198,00
RTF 150.100	24381	150	39.6	100	1450	39	29	800	90	5.198,00

366 SERIES



3668500

N version Solid shaft pump / Pompa albero maschio

RTX 1450 rpm N version ø 30X80 mm

Pump - Pompa	Cod.	Output - Portata		Pressure - Pressione		Power - Potenza		RPM	Weight	Price
		l/min	gpm	bar	psi	hp	kw	N° giri/1'	Kg	€
RTX 70.150	24446	70	18,5	150	2200	30	22	1450	32,5	2.158,00
RTX 100.120	24445	100	26,4	120	1740	30	22	1450	32,5	2.158,00