

350 up to 500 bar

SXW
SXWA
SHP
SHPA
HSXW
HSHP

> 101 Accessories
Accessori



Versions • Versioni

SXW 1450 rpm
SXWA 1750 rpm
SHP 1450 rpm
SHPA 1750 rpm
N version \varnothing 24 mm

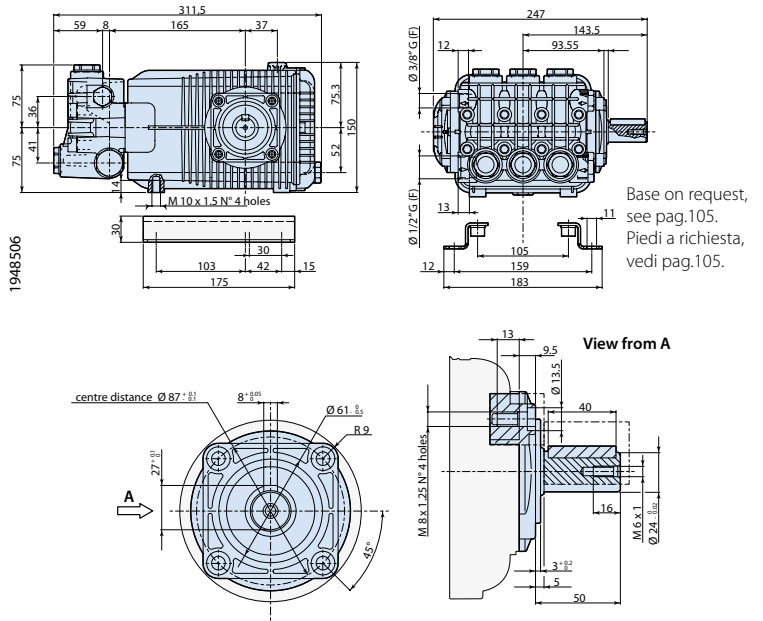
HSXW 1450 rpm
HSHP 1450 rpm

F30

Bell housing + flexible coupling for
B3/B14 frame 132.
Flangiatura con giunto elastico per
motori elettrici B3/B14Gr.132.
COD.1545



194 SERIES



N version Solid shaft pump / Pompa albero maschio

SXW 1450 rpm N version ø 24 mm

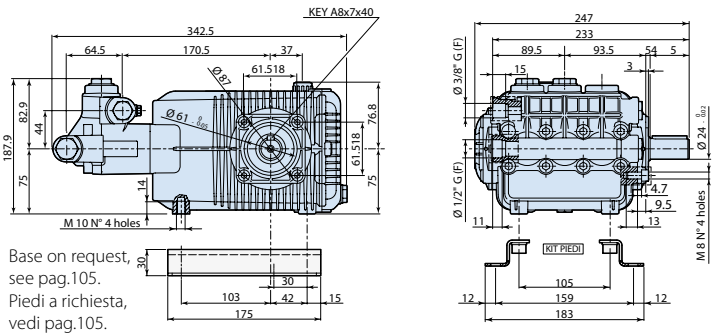
Pump - Pompa	Cod.	Output - Portata		Pressure - Pressione		Power - Potenza		RPM	Weight	Price
		l/min	gpm	bar	psi	hp	kw			
SXW 15.35 N	20807	15	3.96	350	5100	15	11	1450	16	1.040,00
SXW 17.35 N	23208	17	4.5	350	5100	17	12,7	1450	16	1.040,00
SXW 19.30 N	22899	19	5	300	4350	19	14,1	1450	16	1.040,00
SXW 21.28 N	20930	21	5.55	280	4060	20	15	1450	16	1.040,00
SXW 21.35 N	20808	21	5.55	350	5100	20	15	1450	16	1.040,00

SXWA 1750 rpm N version ø 24 mm

SXWA 4 G50 N	21024	15,1	4	345	5000	13	9,5	1750	16	1.040,00
SXWA 5.5G50 N	21006	20,8	5.5	345	5000	18	13,4	1750	16	1.040,00
SXWA 7 G50 N	21211	25,5	7	345	5000	22	16,2	1750	16	1.040,00



1948520



N version Solid shaft pump / Pompa albero maschio

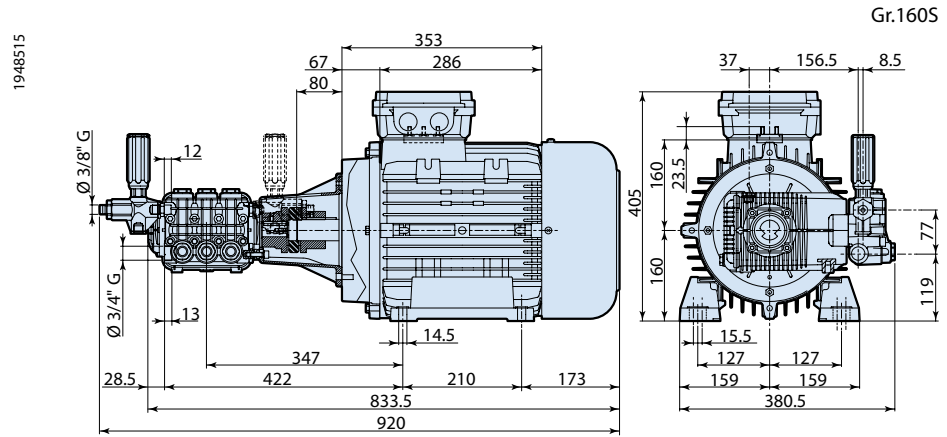
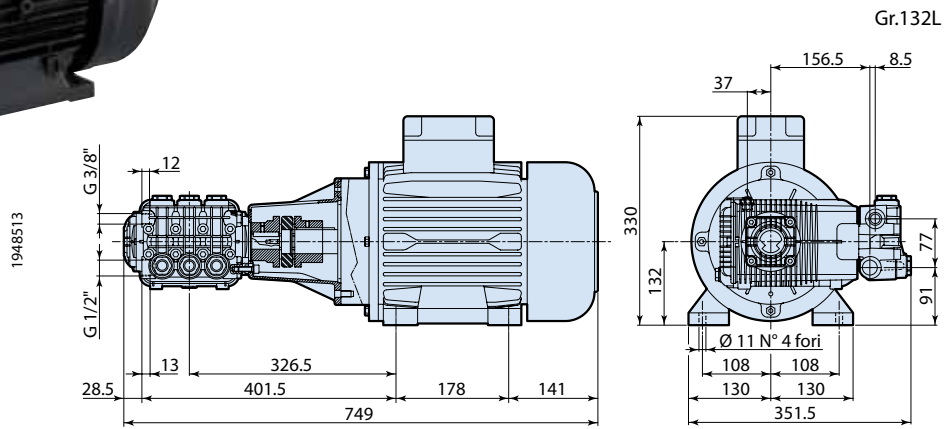
SHP 1450 rpm N version ø 24 mm

Pump - Pompa	Cod.	Output - Portata		Pressure - Pressione		Power - Potenza		RPM	Weight	Price
		l/min	gpm	bar	psi	hp	kw			
SHP 10.50 N	22569	10	2.64	500	7250	14	10,4	1450	16	1.360,00
SHP 15.50 N	21825	15	3.96	500	7250	20	15	1450	16	1.360,00
SHP 22.50 N	21826	22	5.80	500	7250	27	20	1450	16	1.360,00

SHPA 1750 rpm N version ø 24 mm

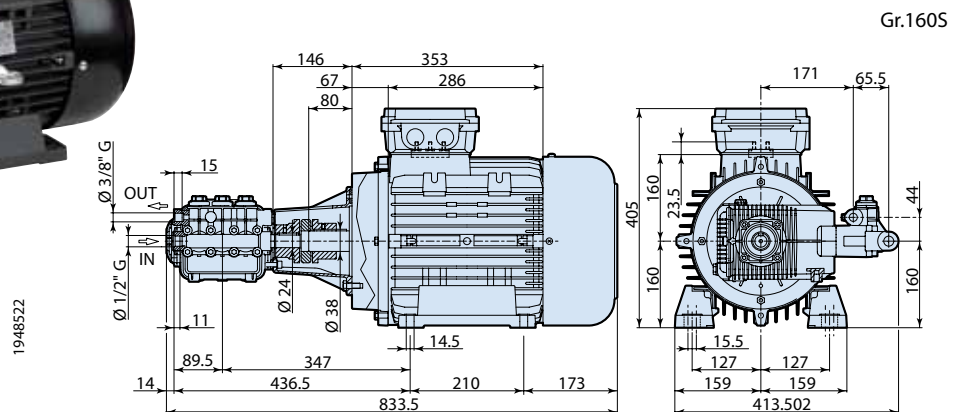
SHPA 4 G70 N	23022	15,1	4	500	7250	20	15	1750	16	1.360,00
--------------	--------------	------	---	-----	------	----	----	------	----	-----------------

194 SERIES



HSXW 1450 rpm

Pump - Pompa	Cod.	Output - Portata		Pressure - Pressione		Power - Potenza		RPM	3 ~ 50 Hz	Weight	Price
		l/min	gpm	bar	psi	hp	kw				
HSXW 15.35	21066	15,1	4	350	5100	15	11	1450	230/400	75	2.977,00
HSXW 21.35	22995	21	5.55	350	5100	20	15	1450	400/690	115	3.085,00



HSHP 1450 rpm

HSHP 15.50	22082	15	3.96	500	7250	20	15	1450	400/690	115	3.312,00
------------	--------------	----	------	-----	------	----	----	------	---------	-----	-----------------