

MID PUMP TYPE FOR HYDRAULIC MOTORS



MID 40-50



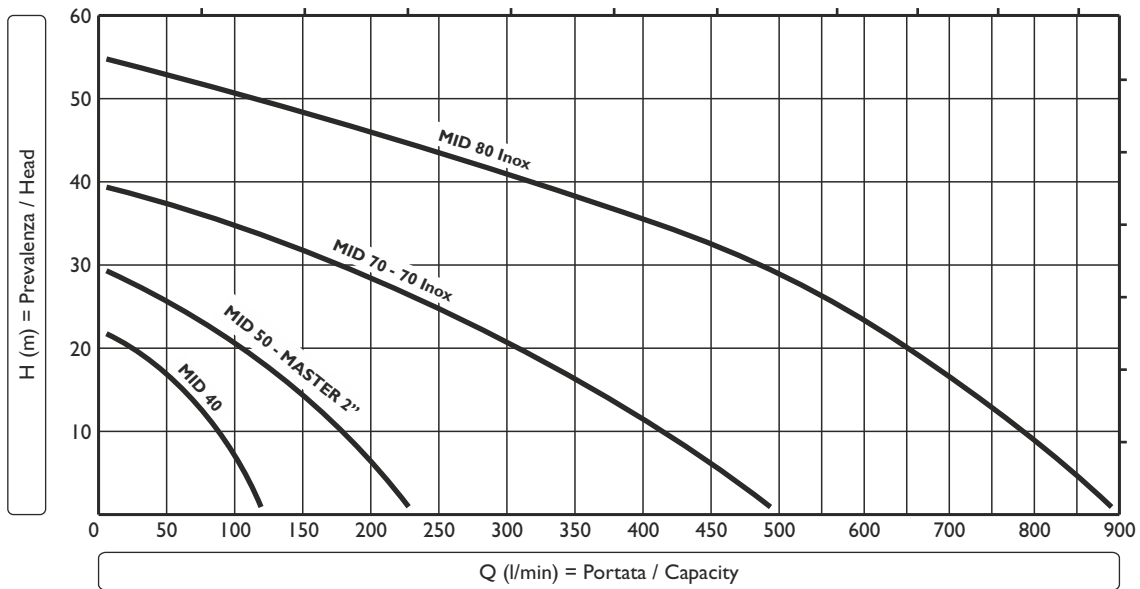
MID 70 Inox



MID MASTER 2''

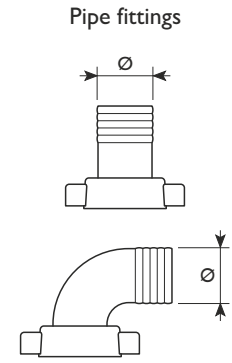
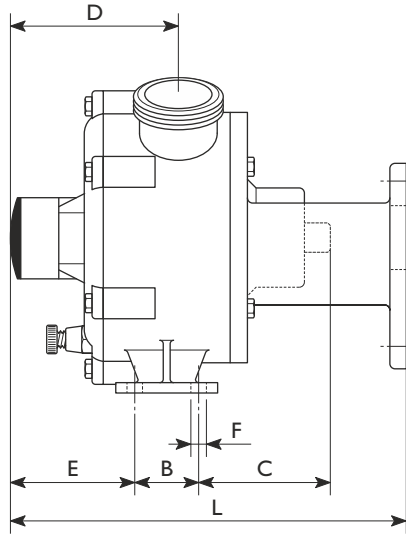
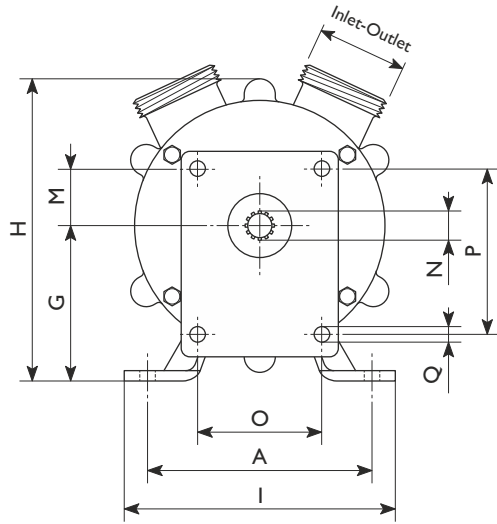


MID 80 Inox

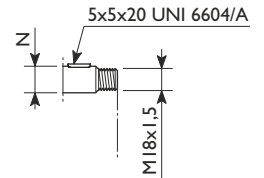
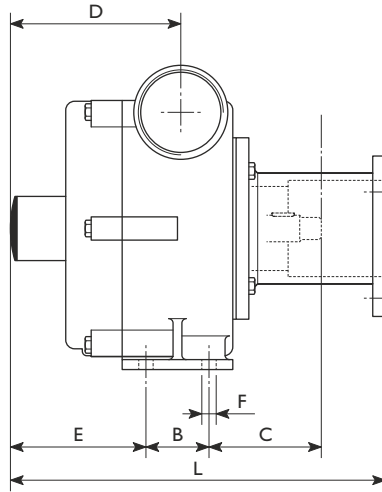
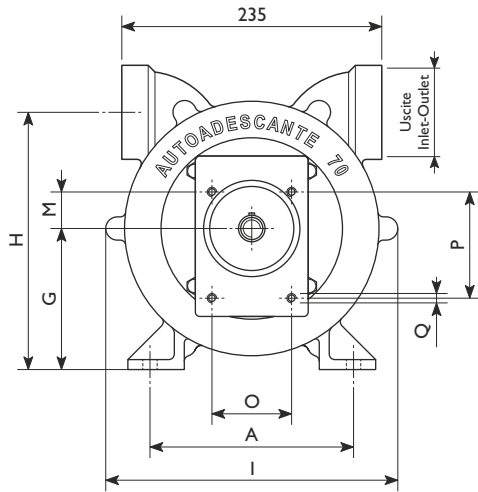


Type	Code	Material	Weight	Rpm	H (m) = Prevalenza / Head - Q (l/min) = Portata / Capacity													
					0	5	10	15	18	22	30	40	45	55	H			
MID 40	51134036	Bronzo/Bronze	7,2 kg	1400	120	110	85	55	45	0						Q		
MID 50	51135036	Bronzo/Bronze	11,4 kg	1400	230	210	175	140	125	85	0							
MID 70	51137036	Bronzo/Bronze	25,5 kg	1400	500	460	415	370	330	280	165	0						
MID MASTER 2''	60135039	Inox AISI 316	11,3 kg	1400	230	210	175	140	125	85	0							
MID 70 Inox	60137036	Inox AISI 316	21,4 kg	1400	500	460	415	370	330	280	165	0						
MID 80 Inox	60138036	Inox AISI 316	40,0 kg	1400	900	840	785	720	660	620	500	300	220	0				

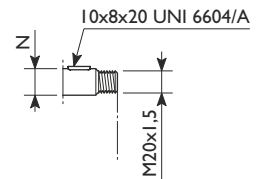
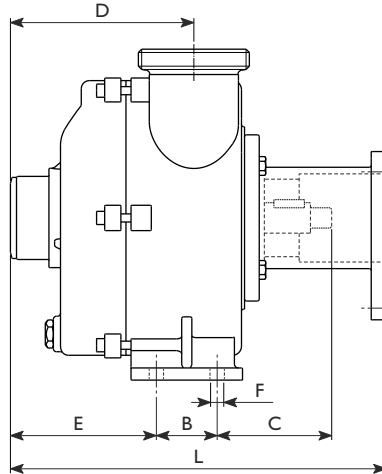
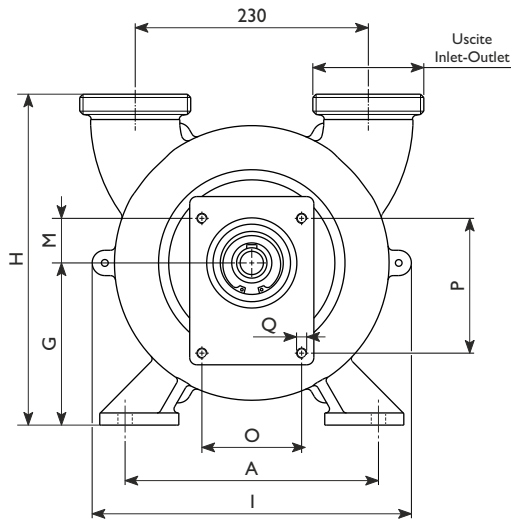
MID 40-50-MASTER 2"



MID 70 - MID 70 Inox



MID 80 Inox



Type	Inlet-Outlet	Pipe fittings	Dimensioni (mm) / Dimensions (mm)														
			A	B	C	D	E	F	G	H	I	L	M	N	O	P	Q
MID 40	BSP-M 1"1/2	Ø40 - Ø45	130	37	78	105	76	Ø9	90	175	157	235	33	Ø16,8 - z14	72	96	Ø9
MID 50	BSP-M 2"	Ø50	160	40	84	125	91	Ø11	120	225	188	265	33	Ø19,8 - z17	72	96	Ø9
MID 70	BSP-F 2"1/2	n.d.	184	57	102	144	110	Ø13	128	231	260	330	33	Ø24	72	96	M8
MID MASTER 2"	BSP-M 2" *	Ø50 **	160	40	85	125	91	Ø11	120	225	188	270	33	Ø19,8 - z17	72	96	Ø9
MID 70 Inox	BSP-F 2"1/2 *	n.d.	184	57	102	144	110	Ø13	128	231	260	330	33	Ø24	72	96	M8
MID 80 Inox	Garolla 80	n.d.	250	60	113	181	144	Ø13	160	327	315	371	44	Ø30	98.4	133	M10

* = Standard inlet-outlet BSP (Gas), different inlet-outlet are available see p.20
 ** = Stainless steel or nylon pipe fittings on request
 n.d. = Pipe fittings not available