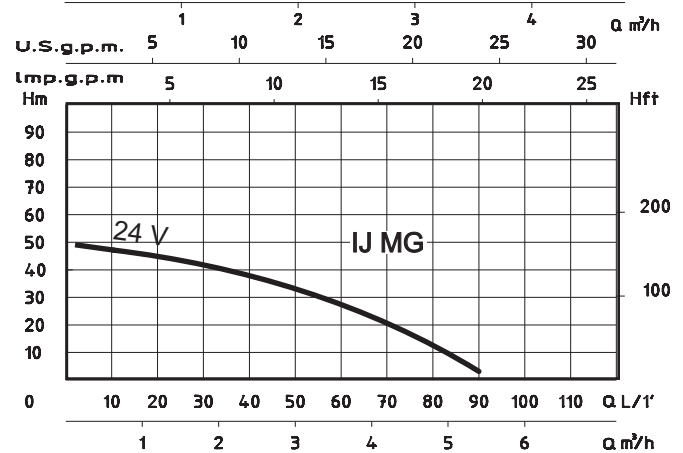
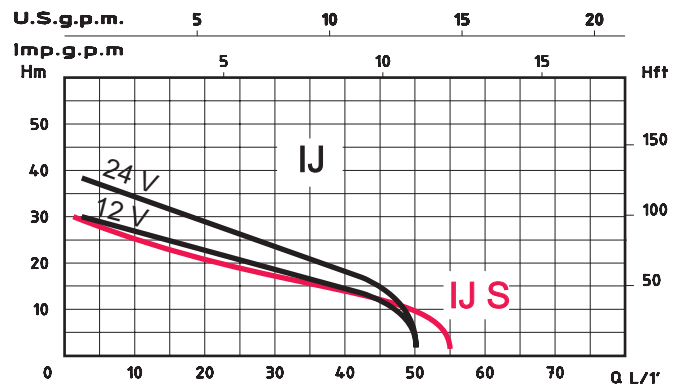
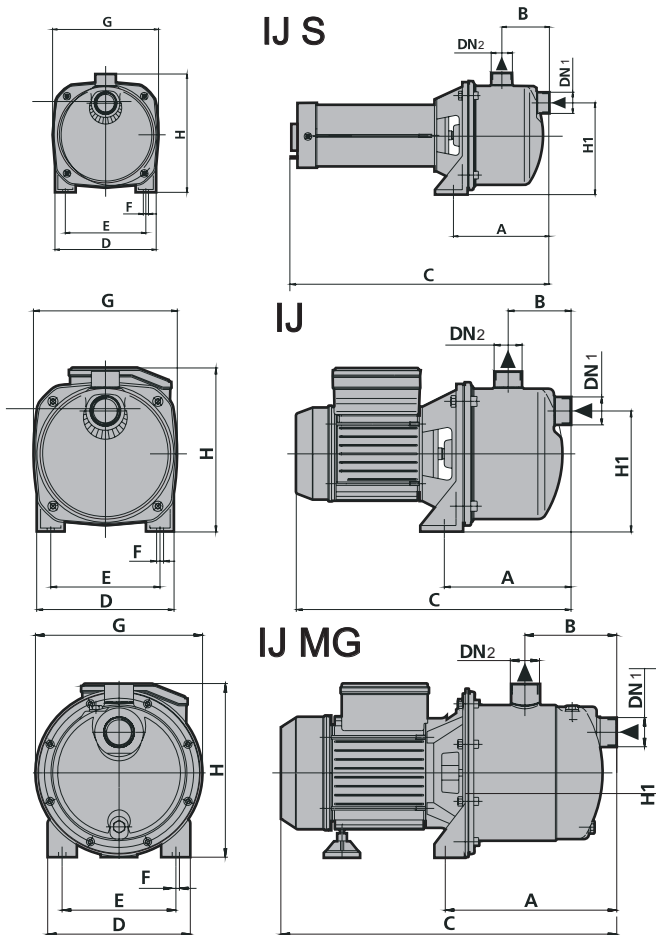


Selfpriming centrifugal electric pumps, Jet type, with closed impeller featuring a high suction capacity. Inox models IJ S, IJ and IJMG are suitable for fresh water.



	12 V			24 V			Q M <sup>3</sup> /h											
	A	giri	P <sub>2</sub> kw	A	giri	P <sub>2</sub> kw		0,6	1,2	1,8	2,4	3	3,6	4,2	4,8	5,4	6	
							L/min	10	20	30	40	50	60	70	80	90	100	
IJ S	38	2800	0,35	24	2800	0,35		25	20	17	14	10						
IJ	42	2400	0,52				H m	26	23	18	14							
				28	2700	0,6		34	29	24	18							
IJ MG				40	2800	0,75		48	45	42	38	34	28	21	12			

P<sub>2</sub> Rated motor power output



	DN <sub>1</sub>	DN <sub>2</sub>	mm									kg
			A	B	C	D	E	F	G	H	H1	
IJ S	G1	G1	163	72	340	162	126	9	166	180	123	6,4
IJ	G1	G1	160	85	400	176	140	10	200	215	160	10
IJ MG	G1	G1	205	128	507	176	140	10	200	230	160	15