

TYPE

BJ

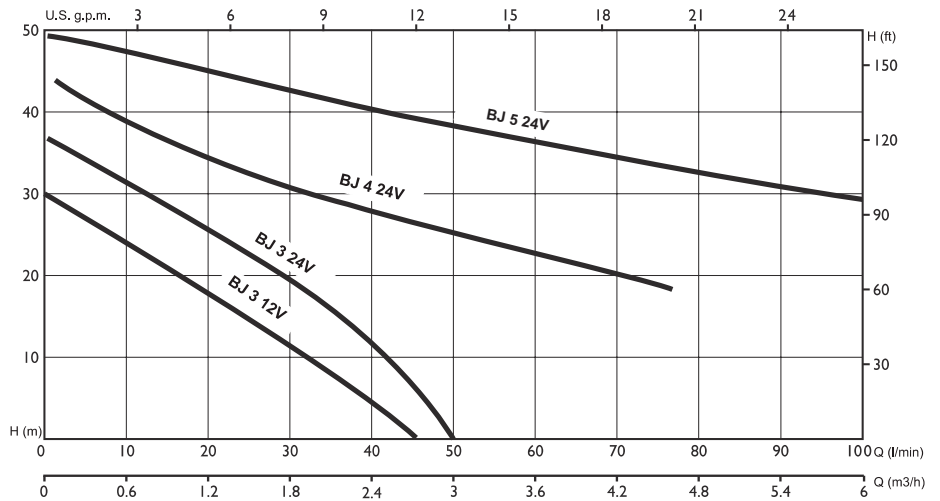
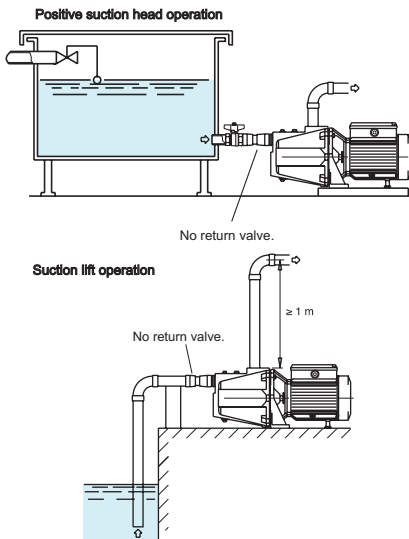
Centrifugal selfpriming electric pumps Jet type

LIVERANI
FLUID TRANSFER TECHNOLOGY

Selfpriming centrifugal electric pumps, Jet type, with closed impeller featuring a high suction capacity.
BJ models, with bronze body, are suitable for fresh and sea water.

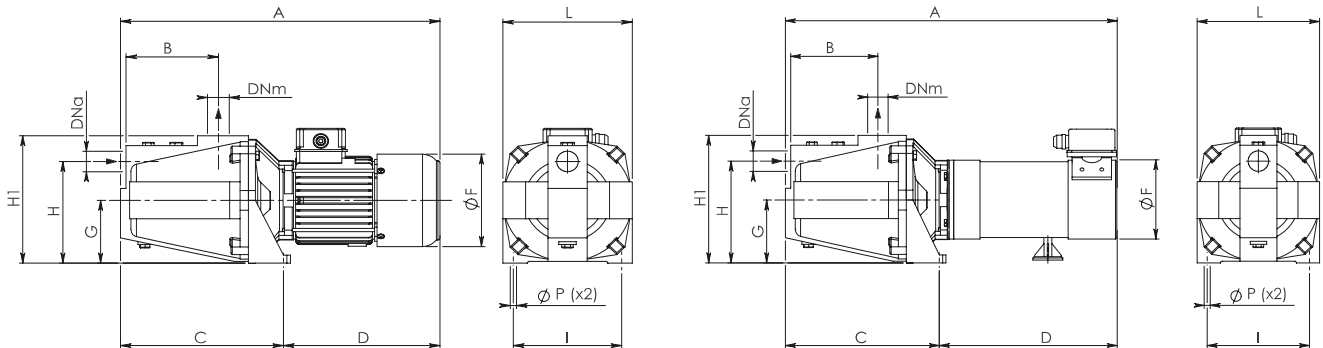


Type	Voltage (V)	Power		Absorption (A)	RPM	Q	H (m)														
		HP	kW				0	0,5	1	1,5	2	2,5	2,6	3	3,5	4	4,5	5	5,5	6	
BJ 3	12V	0,7	0,5	40	2200	H (m)	0	8	17	25	33	42	44	50	58	67	75	83	92	100	
	24V	0,8	0,6	28	2600		30	25	20	16	10	3	0								
BJ 4	24V	1	0,75	45	2400		38	32	28	23	18	11	9	0							
BJ 5	24V	1,5	1,1	60	2800		40	38	35	33	31	29	28	26	24	21					
							50	49	46	44	42	40	40	38	36	34	32	31	29	28	



BJ 3 / BJ 4

BJ 5



Modello Type	Corrente Current	Dna (Gas - BSP)	Dnm (Gas - BSP)	A	B	C	D	ØF	G	H	H1	I	L	ØP	Peso Weight (kg)
BJ 3	c.c - d.c.	1"	1"	455	130	233	222	139	95	150	195	155	185	9,5	25
BJ 4	c.c - d.c.	1"	1"	455	130	233	222	139	95	150	195	155	185	9,5	25,7
BJ 5	c.c - d.c.	1 1/2"	1"	630	165	290	340	116	110	165	222	175	215	13	30

Measures in millimeter (mm), dimensions approximated