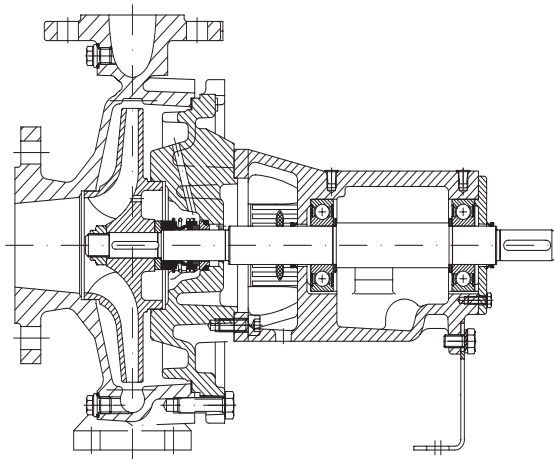
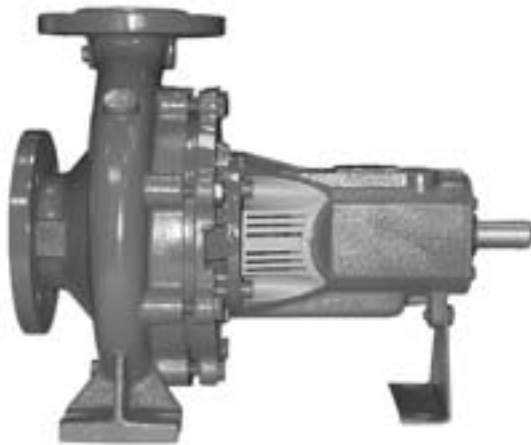


ENR



End Suction Centrifugal Pump





DESCRIPTION

Single-stage end suction centrifugal pump. Volute pump casing with cast pump feet. Bearing support with foot. Axial suction and radial discharge upwards. Totally enclosed radial impeller. Hydraulic balance by means of wearing ring and balancing holes. Lifetime lubricated ball bearings. Mechanical shaft seal according to DIN 24960 (Gland packing optional).

APPLICATIONS

- Water supply duties for municipalities and industries.
- Irrigation.
- Drainage clean water.
- Heating and air conditioning.
- Hot and chilled water.
- Fresh and sea water.
- Fire protection.

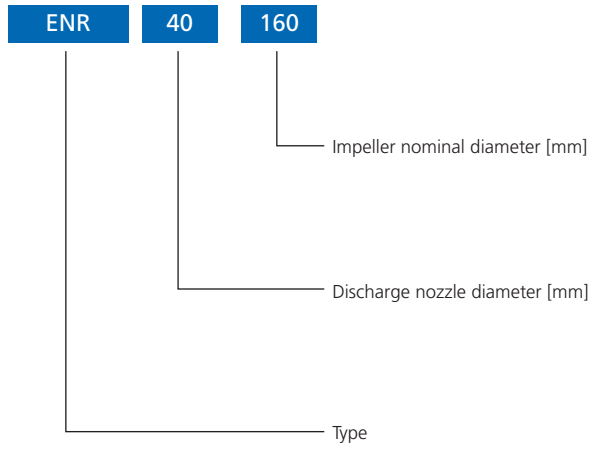
TECHNICAL PECULIARITIES

The ENR pump is designed for pumping clean water according with EN 733 (DIN 24255), plus 19 additional sizes. The design of the pump allows the complete drive unit to be withdrawn from the casing without disturbing the attached pipe work. If a spacer type coupling is used, it is also unnecessary to disconnect the motor.

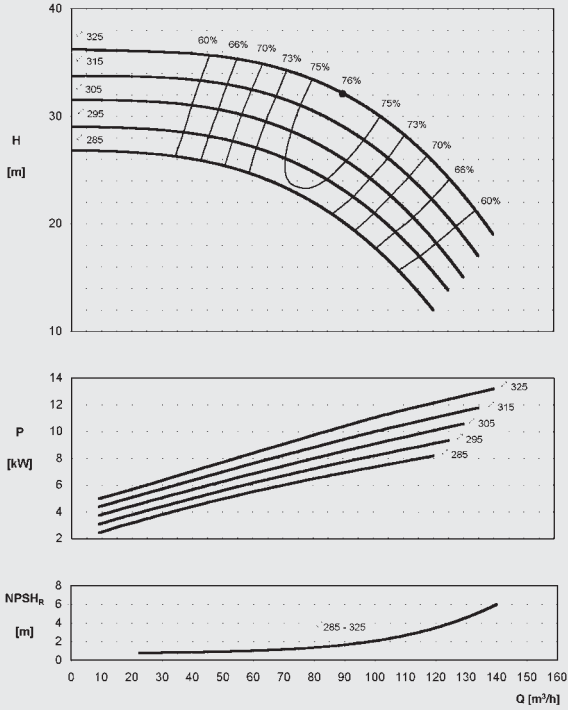
The range covers 50 sizes with only 5 different bearing brackets.



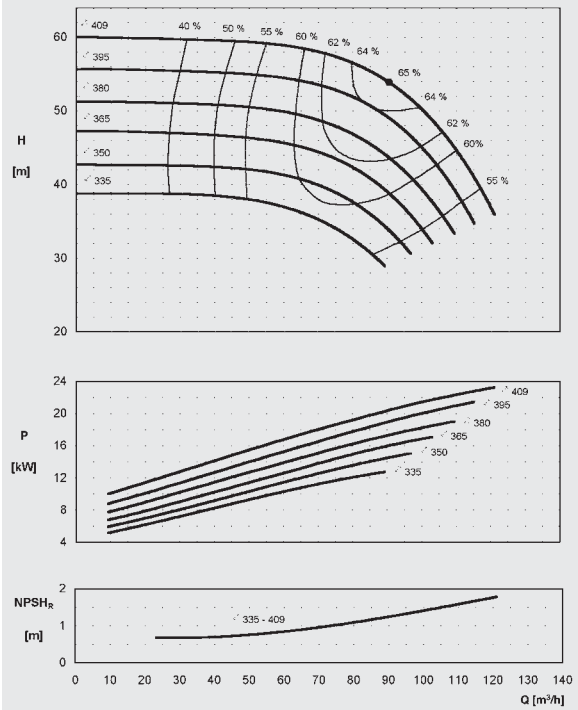
IDENTIFICATIONAL CODE



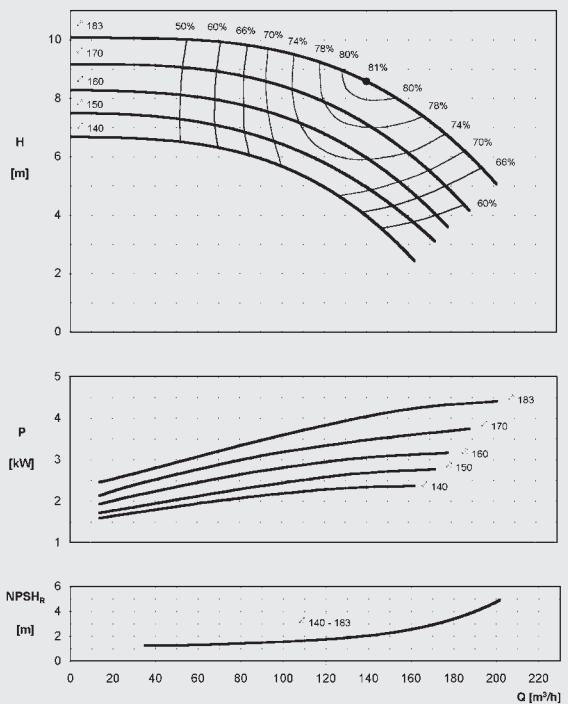
80-315



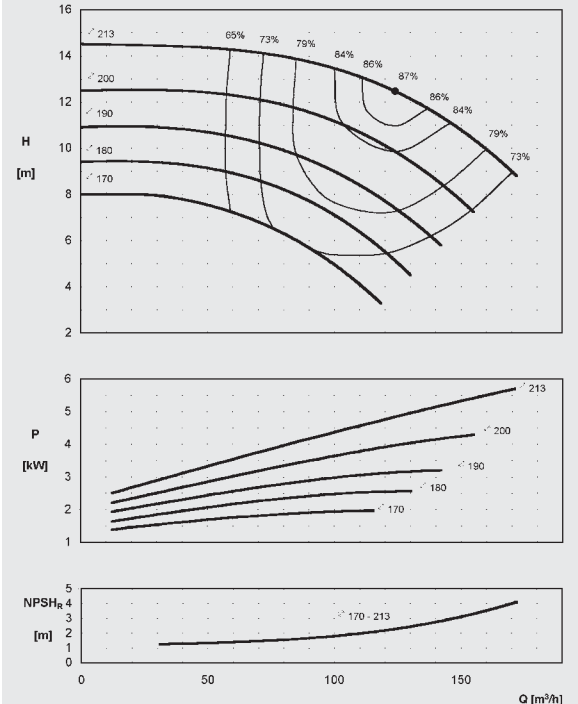
80-400



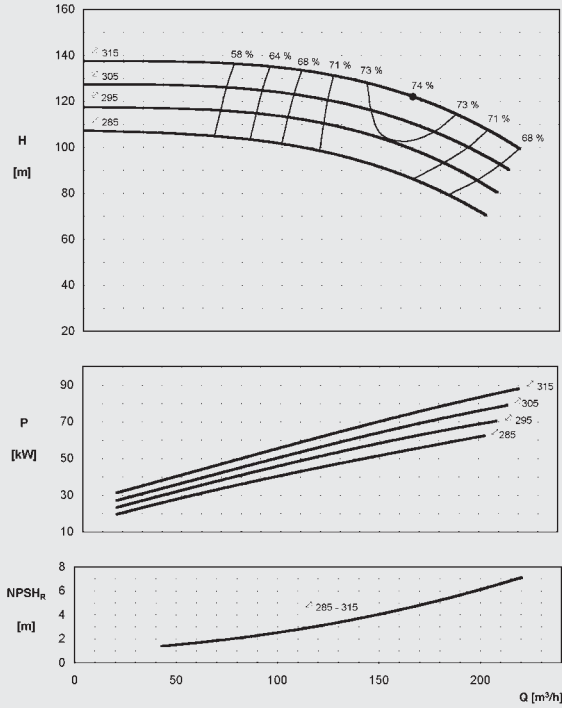
100-160



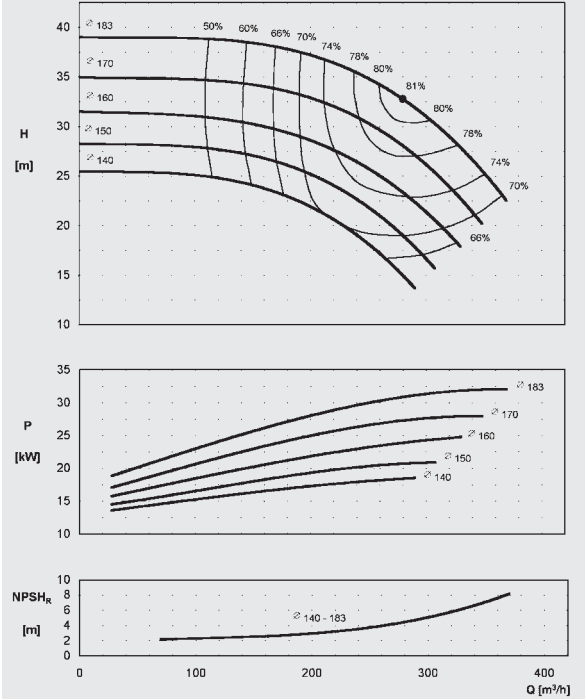
100-200



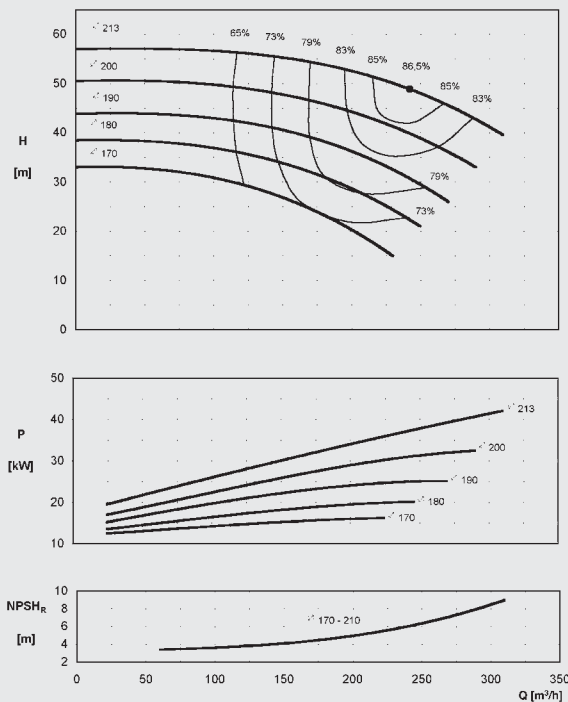
80-315



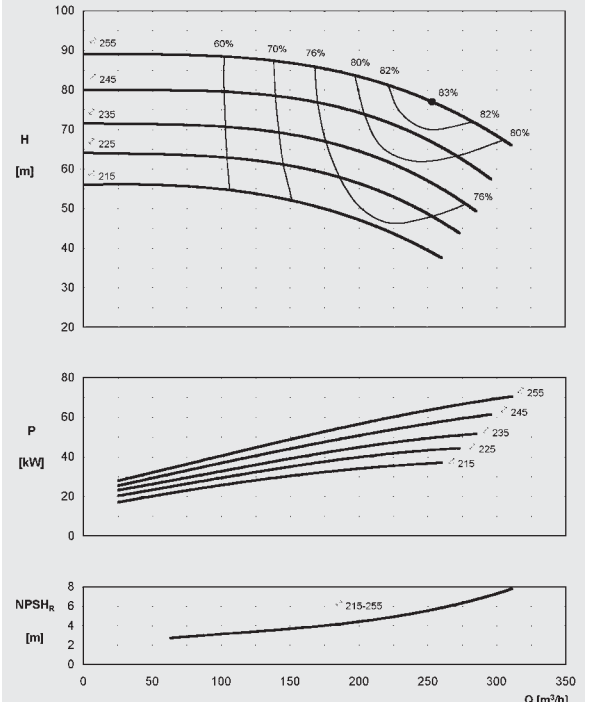
100-160



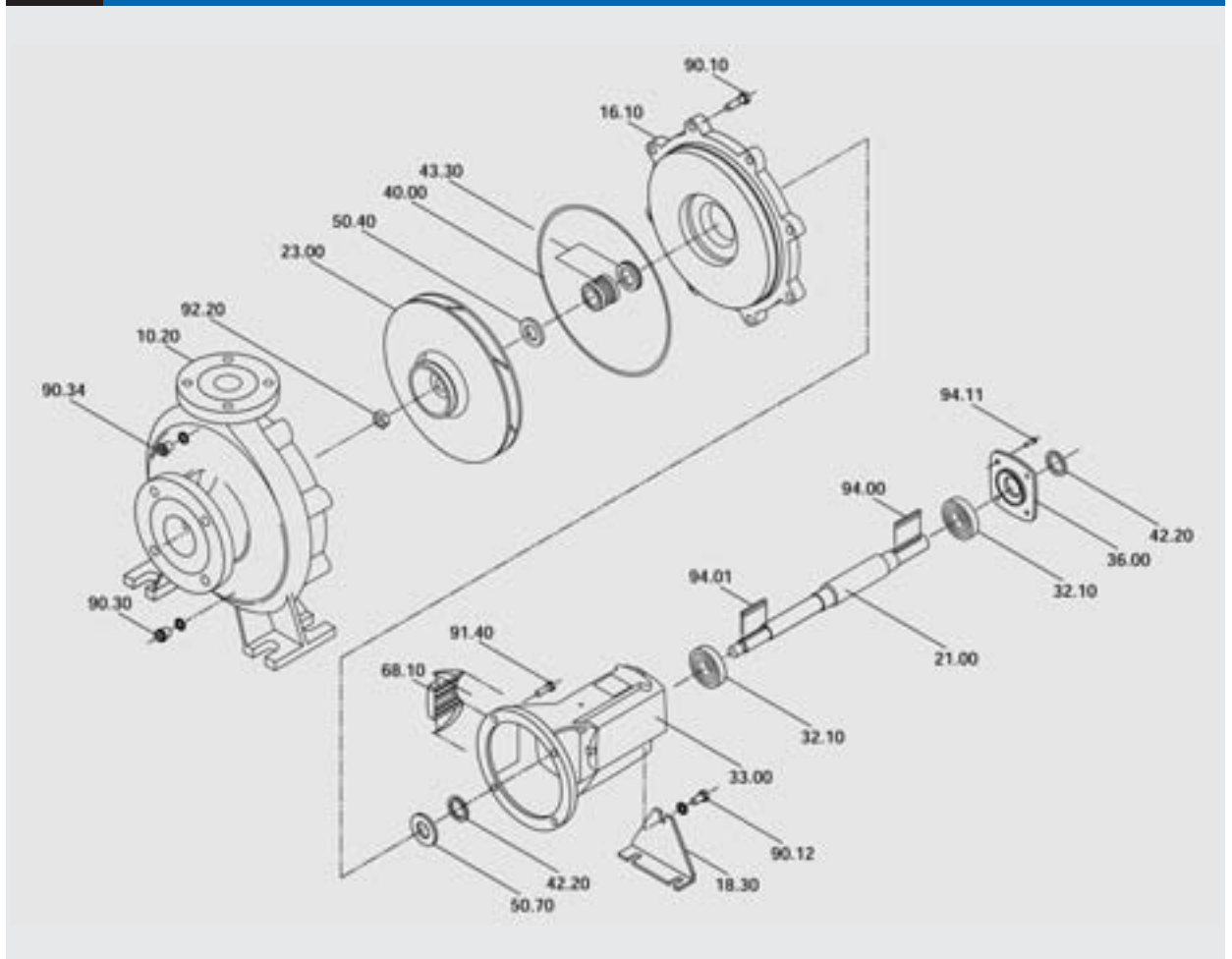
100-200



100-250



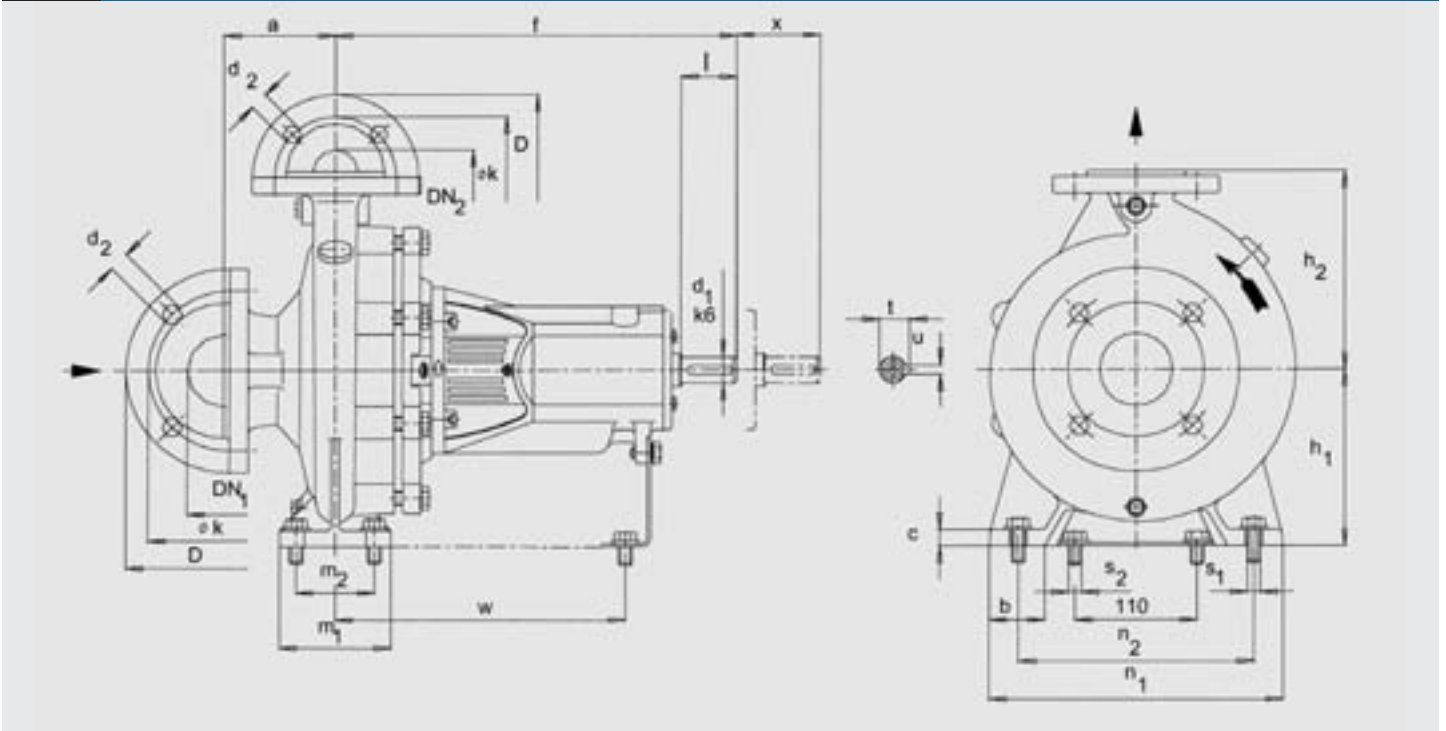
EXPLODED VIEW AND LIST OF COMPONENTS



PART	DESCRIPTION	N° of pumps		
		1÷3	4÷7	≥7
10.20	Volute casing			
16.10	Casing cover			
18.30	Pump foot			
21.00	Shaft			
23.00	Impeller			
32.10	Ball bearing			
33.00	Bearing housing			
36.00	Bearing cover			
40.00	Casing gasket			
42.20	V seal			
43.30	Mechanical seal			
50.40	Distance ring			
50.70	Thrower			
68.10	Protection screen			
90.10	Casing screw			
90.11	Bearing cover screw			
90.12	Foot screw			
90.30	Draining plug			
90.34	Priming plug			
91.40	Housing screw			
92.20	Impeller nut			
94.00	Shaft side key			
94.01	Impeller key			

PART	DESCRIPTION	N° of pumps		
		1÷3	4÷7	≥7
21.00	Complete shaft	2	3	4
23.00	Impeller	1	2	3
32.10	Ball bearing (set)	2	3	4
43.30	Mechanical seal	2	3	4
-	Gasket kit	2	3	4

DIMENSIONS BEARING BRACKET 25, 35 & 45



OUTLINE DIMENSIONS

Pump size	Sup.	Pump dimensions						Foot dimensions								Shaft end					Weight kg	
		DN2	DN1	a	f	h1	h2	b	c	m1	m2	n1	n2	s1*	s2*	w	x	d1	l	t		u
32-125	25	32	50	80	360	112	140	50	15	100	70	190	140	M12	M12	260	100	24	50	27	8	31
32-160						132	160					240	190									33
32-200						160	180					210	160									34
32-250 ¹⁾						180	225					320	250									46
40-125	25	40	65	80	360	112	140	50	15	100	70	210	160	M12	M12	260	100	24	50	27	8	28
40-160						132	160					240	190									30
40-200						160	180					265	212									36
40-250						180	225					320	250									46
40-315 ¹⁾	35	40	65	125	470	225	250	65	18	125	95	345	280		340		32	80	35	10	73	
50-125	25	50	65	100	360	132	160	50	15	100	70	240	190	M12	M12	260	100	24	50	27	8	30
50-160						160	180					265	212									36
50-200						180	225					320	250									40
50-250						200	200					320	250									50
50-315 ¹⁾	35	50	65	125	470	225	280	65	17	125	95	345	280		340		32	80	35	10	88	
65-125	25	65	80	100	360	160	180	65	15	125	95	280	212	M12	M12	260	100	24	50	27	8	33
65-160						180	200					360	250									39
65-200						200	225					320	250									45
65-250						225	250					400	315									70
65-315	35	65	80	125	470	225	280	80	18	160	120	400	315	M16		340	140	32	80	35	10	92
80-160	25	80	100	125	470	360	225	65	15	125	95	320	250	M12	M12	260	140	24	50	27	8	43
80-200						180	250					345	280									60
80-250						200	280					400	315									75
80-315						250	315					400	315									95
80-400 ¹⁾	45	80	100	125	530	280	355	80	18	160	120	435	355	M16		370	140	42	110	45	12	143
100-160 ¹⁾	35	100	125	140	470	200	280	80	18	160	120	360	280	M16	M12	340	140	32	80	35	10	78
100-200						225	315					400	315									70
100-250						250	315					400	315									85
100-315						280	355					500	400									104
100-400	45	100	125	140	530	280	355	100		200	150	500	400	M20		370	140	42	110	45	12	177
125-200 ¹⁾	35	125	150	140	470	250	315	80	18	160	120	400	315	M16	M12	340	140	32	80	35	10	100
125-250						280	355					500	400									102
125-315						315	400					500	400									151
125-400						350	450					500	400									188
150-200 ¹⁾	35	150	200	160	470	280	400	100	20	200	150	550	450	M20	M12	340	140	32	80	35	10	123
150-250						315	450					500	400									128
150-315						350	450					500	400									170
150-400						400	450					500	400									205
200-250 ¹⁾	45	200	200	160	590	280	400	100	22	200	150	500	400	M20	M12	430	180	42	110	45	12	230

1) Transnorm pump sizes, not included in DIN 24255 / EN 733. Flanges drilled according to ANSI 150 on request.

* Slots suitable for bolts with dimensions indicated. Bolts are not included in the bare shaft pump standard scope of supply.