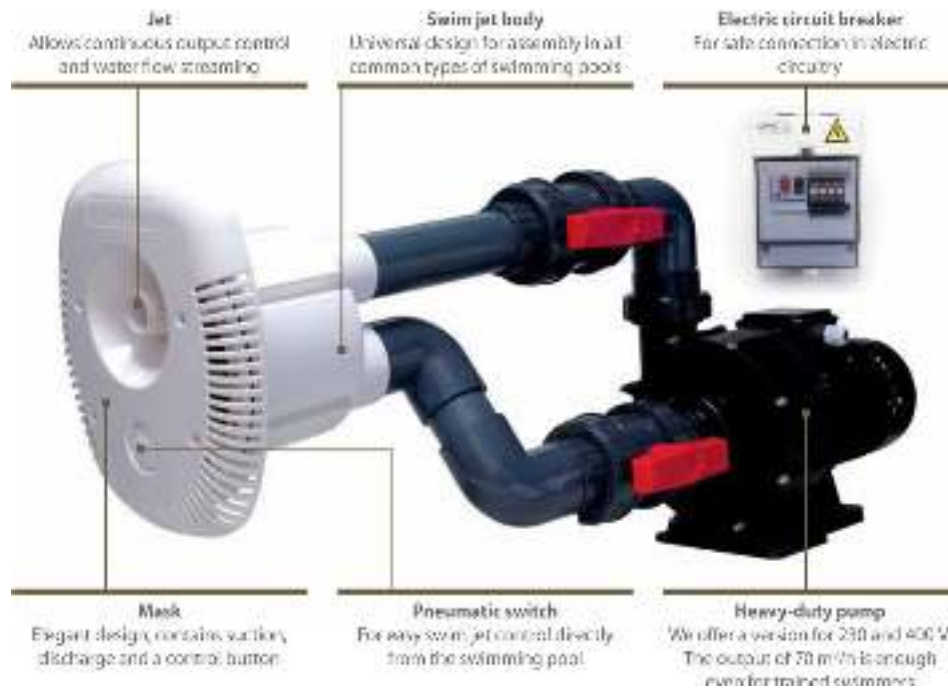
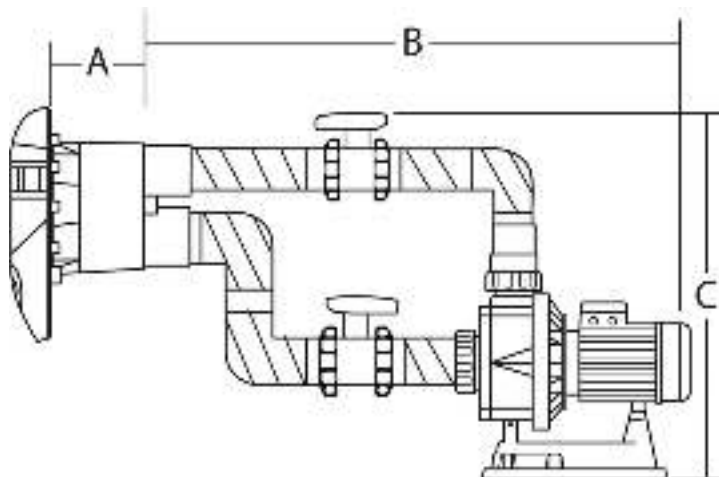


Želite li plivati u svojem bazenu veličine olimpijskog, ali vaš je prostor premalen? Set za protustrujno plivanje Elegance 70 je ovdje za vas. To će vam omogućiti da vježbate svoju izdržljivost čak i u malom bazenu i da pogurate granice vaše sposobnosti dalje i dalje. Zahvaljujući svojoj jednostavnoj kontroli izravno iz bazena i kontinuiranom podešavanju snage ovo je pun pogodak za cijelu obitelj .

Može se koristiti i u kombinaciji s klorinatorom soli . **Za bazene veličina do 90 m3.**



Model	Napon	Protok	Snaga	Mlaznica
Elegance 70	400 V	70 m ³ /h	2,2 kW	Ø 40 mm



A	165 mm
B	1005 mm
C	600 mm
Masa :	32 kg

Contents

1.	Placing the device	3
2.	Mounting the swim jet body	3
3.	Installing the swim jet body	5
4.	Air and pneumatic line installation	6
5.	Fitting the swim jet front cover	7
6.	Minimum space requirements and device installation	8
7.	Use and settings of the ELEGANCE swim jet	9
8.	List of ELEGANCE swim jet components	10
9.	Electrical installation	11
10.	ELEGANCE swim jet pump	12
11.	Warranty conditions	13

Thank you for choosing our product and trusting our company. To help you to get the maximum pleasure from using this product, please read these instructions carefully before use and strictly follow the user's manual to prevent damage to the device or unnecessary injuries.

Placing the device

1.

By purchasing the ELEGANCE swim jet device, you have obtained a high-quality product that will help you to enjoy the time spent in your pool.

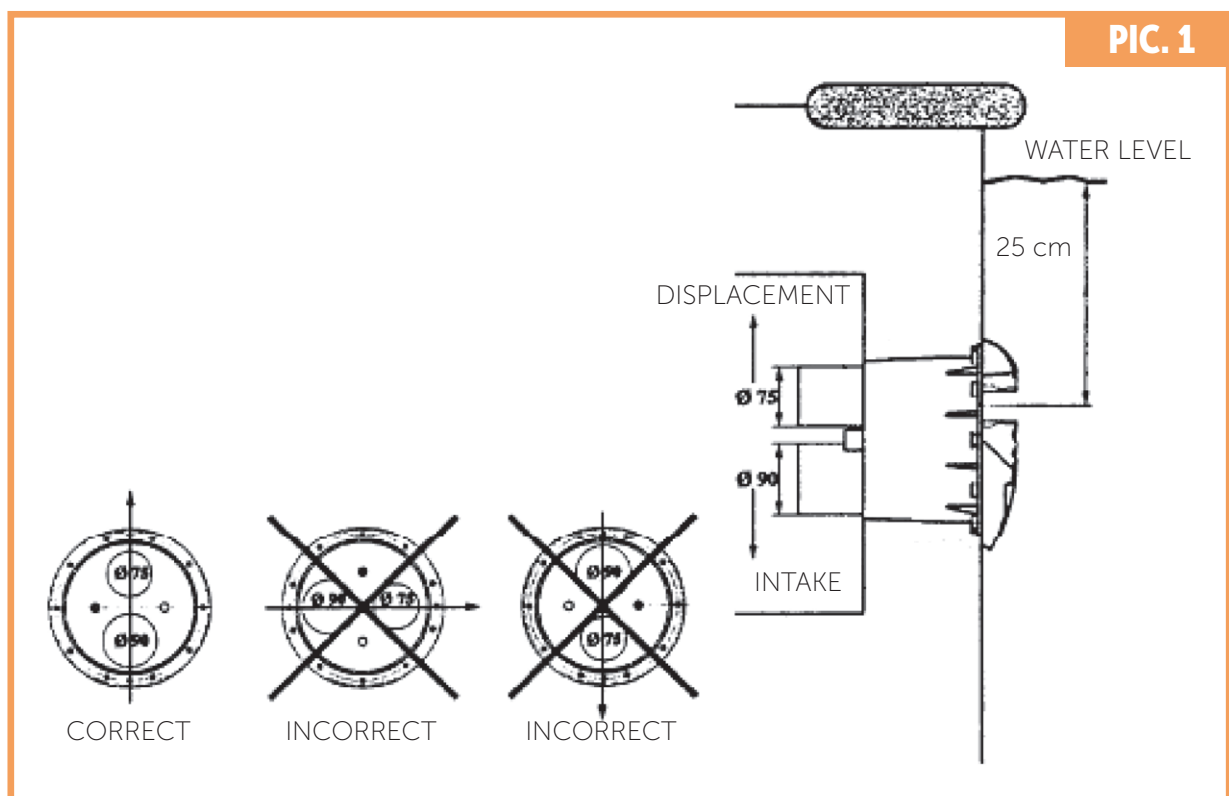
The swim jet ELEGANCE is delivered with 2.2kW engine. The electric pump should be installed as close as possible to the pool in order to achieve the maximum performance and to reduce loss caused by friction. The original diameters of the accessories from PVC delivered with the installation should always be respected.

Pump which is a part of this device don't have a self-suction function. It is necessary to install it under the water level. The technology device area must be aired sufficiently, use a fan if needed, to prevent water condensation. You can ensure the correct functioning of the device by respecting these instructions.

Mounting the jet stream body

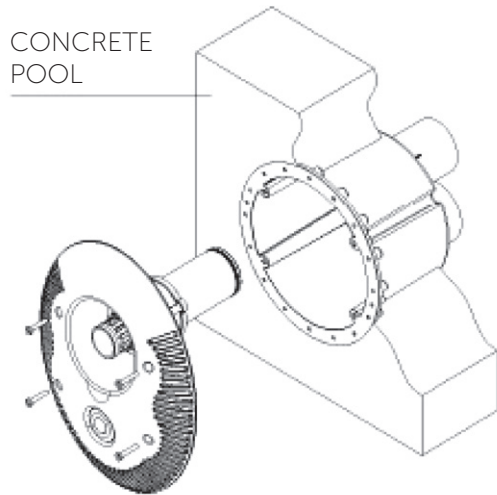
2.

During the installation of the swim jet body, please bear in mind that it must be placed in the position indicated in picture 1. Displacement of a 75mm diameter and a suction of a 90mm diameter must be installed in the vertical position so that the side of the displacement is higher than the side of the suction (90 mm diameter) (see pic. 1). The swim jet device must be placed so that the centre of the jet will be approximately 25 cm under the surface of the water (see pic. 1). You must follow and adhere to these instructions and correctly mount the device to ensure that it operates correctly.



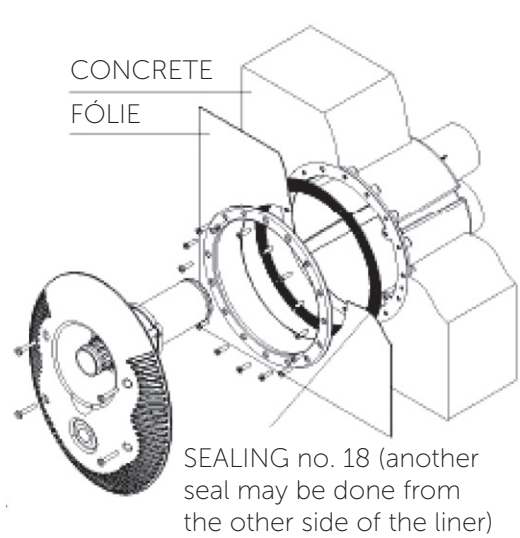
PIC. 2a

INSTALLATION IN CONCRETE SWIMMING POOLS



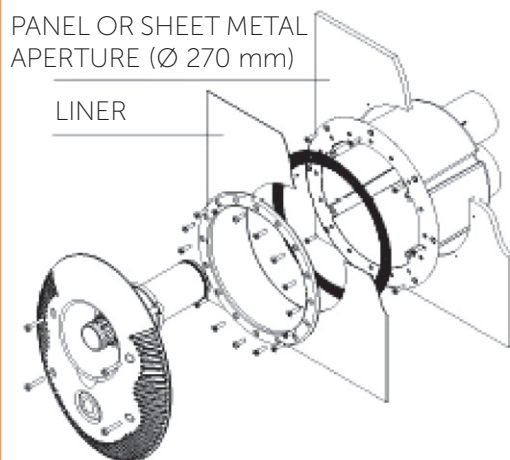
PIC. 2b

INSTALLATION IN CONCRETE SWIMMING POOLS WITH LINER



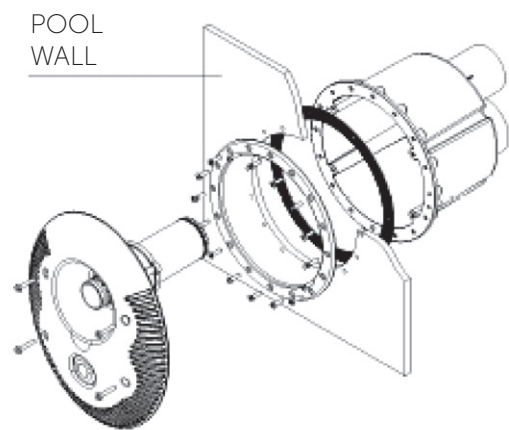
PIC. 2c

INSTALLATION IN PANEL OR SHEET METAL SWIMMING POOLS WITH LINER



PIC. 2d

INSTALLATION IN PREFABRICATED (LAMINATE OR POLYPROPYLENE) SWIMMING POOL



Installing the swim jet body

3.1 Installing the swim jet body in concrete

Stick hoses (no. 21 pic. 3) on the swim jet body (no. 20 pic. 3) and connect them into the technology device area (pit). Protect the hose endings against the concrete. Carry out the swim jet body installation (no. 20 pic. 3) as indicated in pic. 2a into the hole made in the concrete wall or into the formwork for concreting without a flange or sealing. When the body is fixed to the wall, follow the instructions in section 4 and install the pneumatic and air connections.

3.2 Installation of swim jet device body in concrete pools with liner

While mounting the swim jet body into the walls of a concrete pool with liner, please follow the instructions written in chapter no. 2 and 3. You can start mounting the sealing and the swim jet flange (pic. 2b) into the pool after fixing the swim jet body onto the wall of the pool. 2b.

Tighten the sealing (no. 18 in pic. 3) into the swim jet body (no. 20 in pic. 3) with 2 screws (no. 19 in pic. 3) and bear in mind that the pool liner can be situated between two seals (pic. 2b). Finally, fix the flange (no. 17 in pic. 3) and tighten the screws (no. 16 in pic. 3), after this step is done, cut the liner from the inside part of the flange. During the installation of the air and pneumatic lines, follow the procedure in article 4.

3.3 Installation of swim jet device body in panel or sheet metal pools with liner

Prepare the opening of 270 mm diameter in the wall pool so that the centre of the jet is approximately 30cm under the water level as described in the article 2 (pic. 1). Place the swim jet body (no. 20 in pic. 3) from the inside part of the pool into the prepared opening. Fix the body with 8 self-drilling screws (no. 19 in pic. 3) into the wall of the pool as described in pic. 2c. Tighten the sealing (no. 18 in pic. 3) to the swim jet body (no. 20 in pic. 3) with 2 screws (no. 19 in pic. 3). After the installation of the liner, fix the flange (no. 17 in pic. 3) and tighten the screws (no. 16 in pic. 3), then cut the liner from the inside part of the flange. During the installation of the air and pneumatic lines, follow the procedure in article 4.

3.4 Installation of the swim jet body to the preformed (polypropylene) pool

Prepare the opening of 230 mm diameter in the pool wall so that the centre of the jet is approximately 30cm under the water level as described in the article 2 and pic. 1. Stick the sealing (no. 18 in pic. 3) from the inside part of the pool wall and prepare openings for the 16 screws of the flange (no. 16 pic. 3). Prepare the swim jet body (no. 20 pic. 3) from the inside part of the pool and tighten the flange (no. 17 in pic. 3) with screws (no. 16 in pic. 3) from the inside part as described in pic. 2d. During the installation of the air and pneumatic lines, follow the procedure in article 4.

Installation of the swim jet body to a prefabricated pool

Installation of the swim jet body to a prefabricated pool should be carried out in compliance with the pool manufacturer. The mounting may differ from the recommendations of the swim jet manufacturer. It may also be in a different location according to the individual types and dependent on the design of the swimming pool.

4.

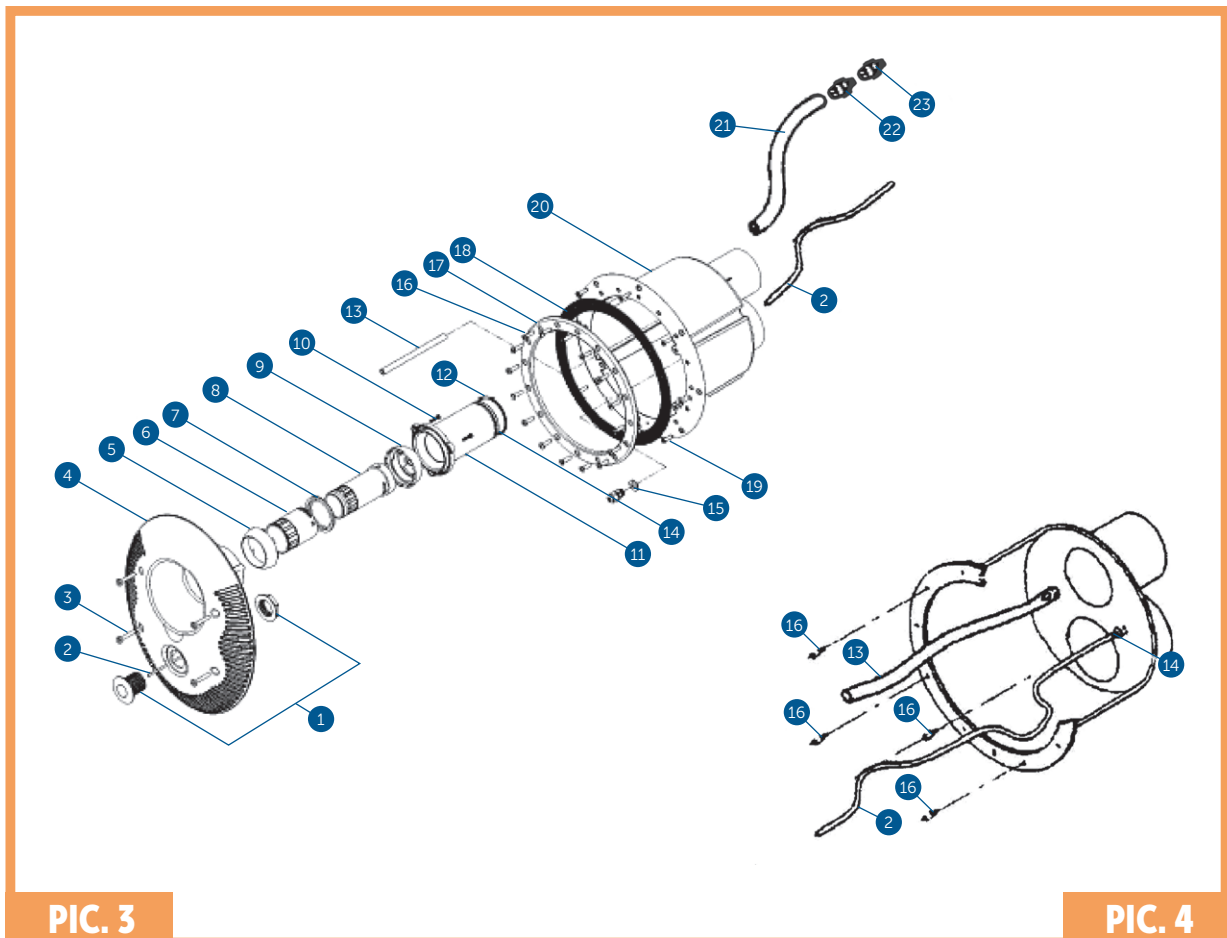
Air and pneumatic line installation

Air line installation:

Install the non-return valve (no. 22 pic. 3) on the hose serving as an air line (no. 23 pic. 3). It is important to place the non-return valve on the wall of the technology area in order to prevent the suction of dirt (pic. 6). Finally, fix the elastic tube (no. 13, pic. 3) by pressing it into a nozzle placed inside the swim jet body (see pic. 4).

Pneumatic line installation:

Push the end of the pneumatic switch hose (no. 2 picture 3) through the opening in the swim jet body (no. 20 picture 3), and pull it through the bushing (no. 14) and connect it to the pneumatic switch (no. 1 pic. 3) placed in the front of the swim jet device.



Fitting the swim jet front cover

5.

The complete front cover is delivered mounted and contains parts no. 1 to 12 (pic. 3). The exception is the transparent pneumatic hose no. 2 which is already a part of the swim jet body (pic. 4). Follow these steps while mounting the front cover:

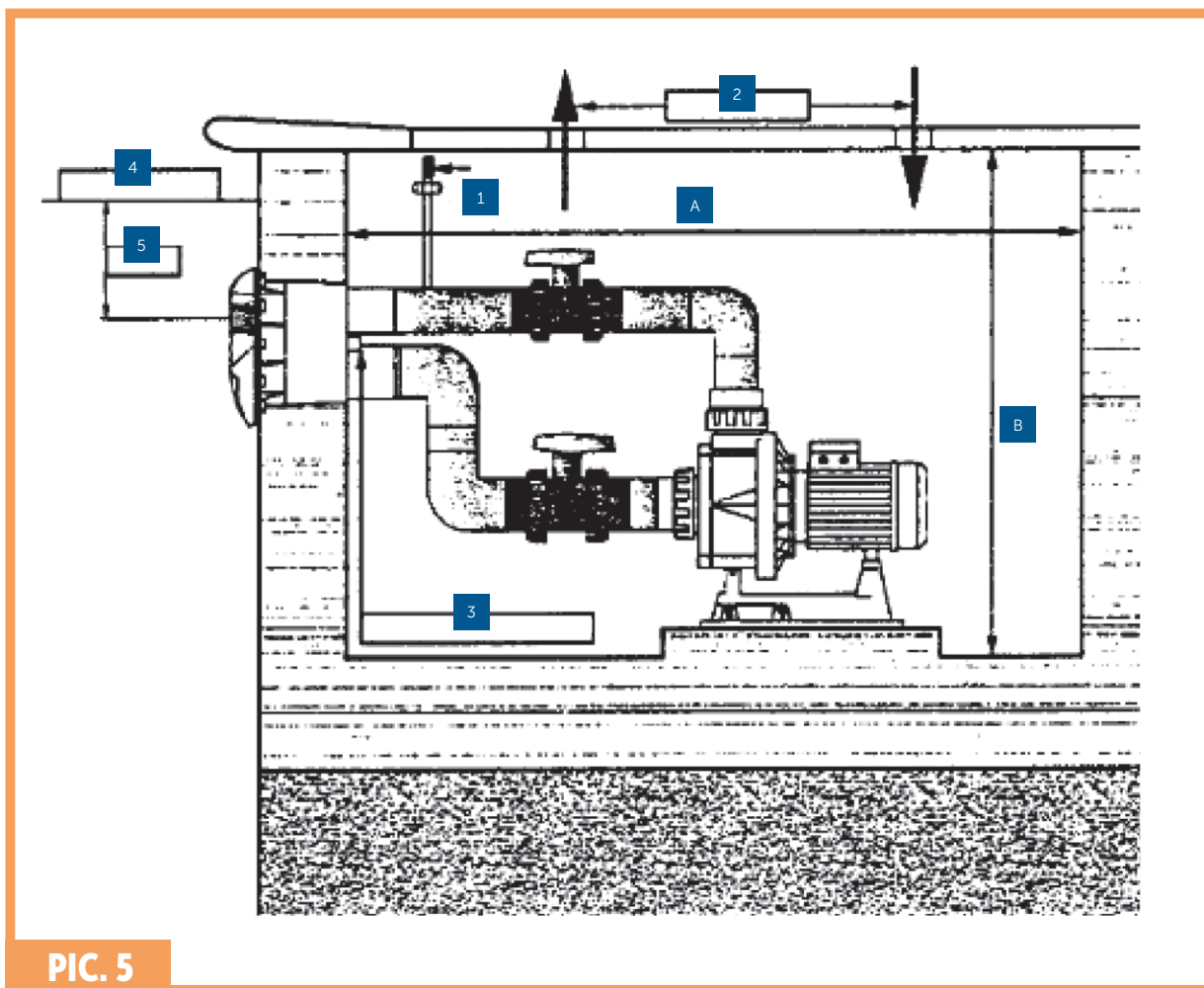
- Connect the hose no. 2, pull it up to the horn of the pneumatic switch (no. 1 pic. 3).
- Connect the hose no. 13, insert it into the nozzle on the front cover.
- Connect the complete front cover to the swim jet body and make sure that the ring (no. 12) is inserted in the mouth of the displacement opening (75 mm diameter).
- Tighten all four screws (no. 3 pic. 3) When they are fitted tightly, the front cover is ready to use.

6.

Minimum space requirements and device installation

Before installing the device itself, it is necessary to consider the technology space (sump) proportions where you want to place the swim jet. Make sure in advance that you will not have any problems due to a lack of space while installing the pump. The minimum recommended proportions of the technology space required for the device installation, see pic.5 + table.

width (mm)	length A (mm)	height B (mm)
750	1420	900



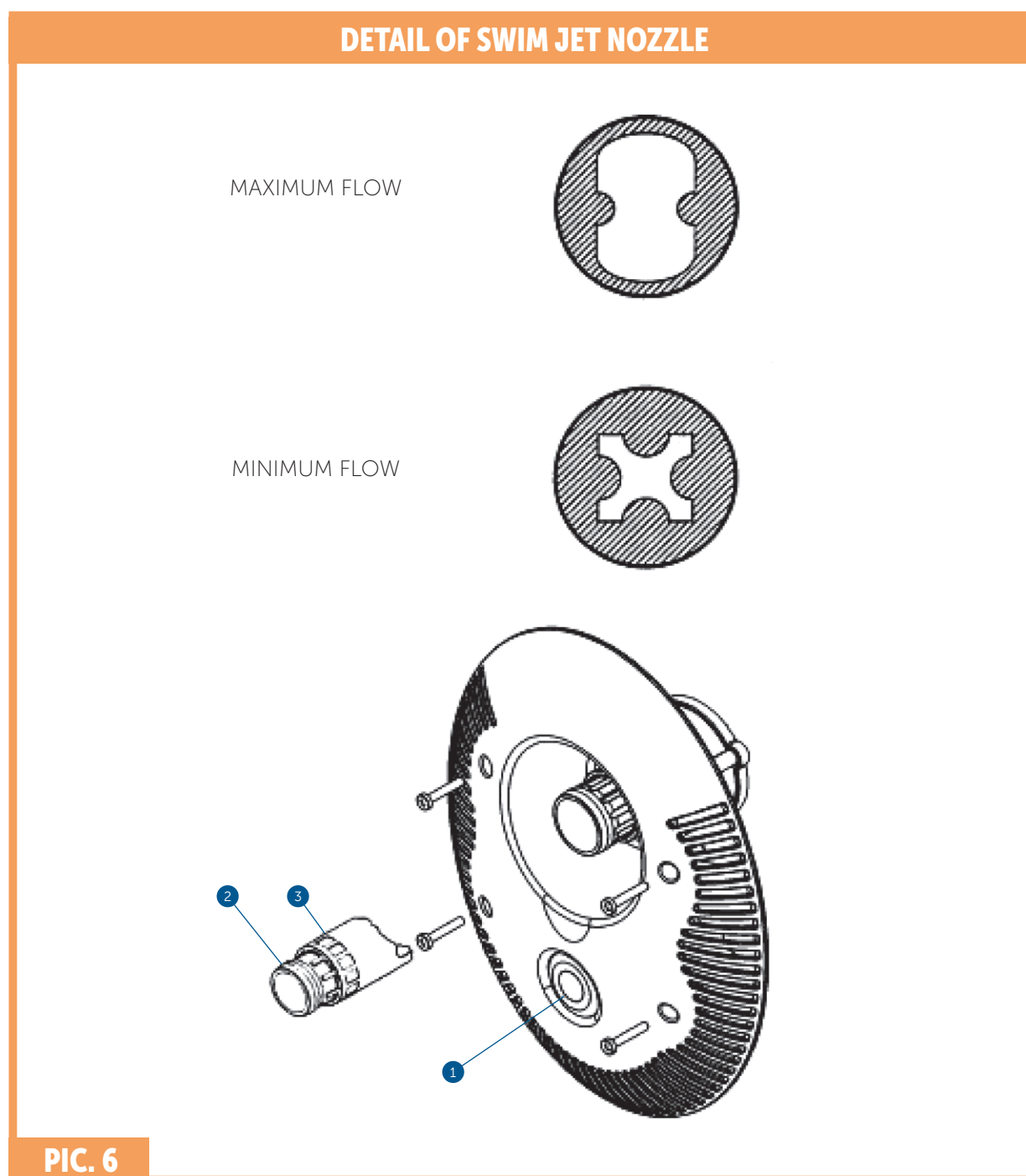
PIC. 5

- 1 Air outlet
- 2 Ventilation
- 3 To the el. switching
- 4 Water level
- 5 25 cm

Use and settings of the ELEGANCE swim jet

7.

Once the jet stream is installed, it turns your pool into a place of rest and relaxation thanks to the pleasant thrill of a stream of the water or water with air which the unit creates. Press the pneumatic switch to set the swim jet from the pool (no. 1 pic. 6). The switched on swim jet blows out a stream of water or water with air. It depends on the setting of the front nozzles (pic. 6). Only the water stream: Maximum water flow is achieved by turning the inside jet (no. 2 in pic. 6) to the left. You will reduce the water current by turning the nozzle to the right. The water stream with air: For setting or reducing the air flow, turn the outside of the nozzle (no. 3 pic. 6).

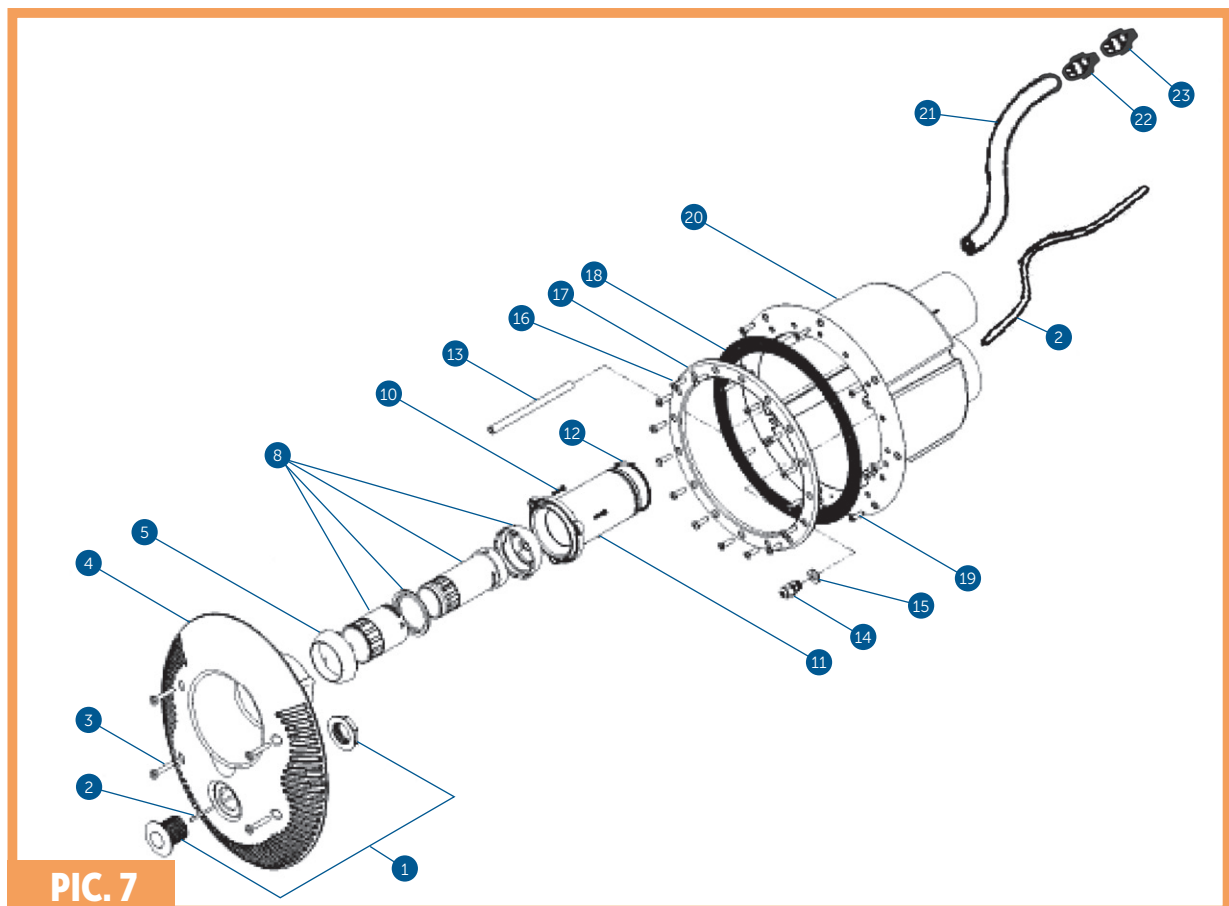


PIC. 6

8.

List of ELEGANCE swim jet components no. description amount no. description amount

Item	Product Description	Qty	Product code
1	pneumatic switch	1 pc	193
2	pneumatic hose	7 m	BXNDPPD003
3	front screw	4 pcs	BXNDPPD018
4	swim jet front cover	1 pc	BXNDPPD010
5	external ball	1 pc	
6	nozzle regulating the air supply	1 pc	
7	supporting ring	1 pc	
8	nozzle regulating the water supply	1 pc	BXNDPPD036
9	inside ball	1 pc	
10	nozzle screw - self-drilling	3 pcs	
11	nozzle fitting	1 pc	BXNDPPD035
12	O-ring	1 pc	BXNDPPD027
13	elastic hose (air)	1 pc	
14	pneumatic hose bushing	1 pc	
15	bushing O-ring	1 pc	
16	flange screws	16 pcs	
17	flange	1 pc	BXNDPPD013
18	sealing	2 pcs	
19	swim jet body screw – self-drilling	4 pcs	BXNDPPD020
20	swim jet body	1 pc	BXNDPPD023
21	air line hose	1 pc	BXNDPPD004
22	reduction of the head body of the swim jet	1 pc	BXNDPPD015
23	non-return valve air intake		BXNDPPD040



Electrical installation - WARNING

9.

Only an authorized person with an appropriate qualification can perform the connection of the swim jet motor switch in accordance with Decree no. 50/1978. The motor has to be protected against overloading. The whole device can only be plugged in to the power supply protected by a circuit breaker with a residual current of 0.03 A.

The tension of the electrical supply must correspond to the data on the tag installed on every device. All metal parts of the device must be connected (earthed). Circuit breakers must comply with the regulations that are valid for the motor to be protected under the expected operating conditions. All instructions provided by the manufacturer must be respected (see marking on the label).

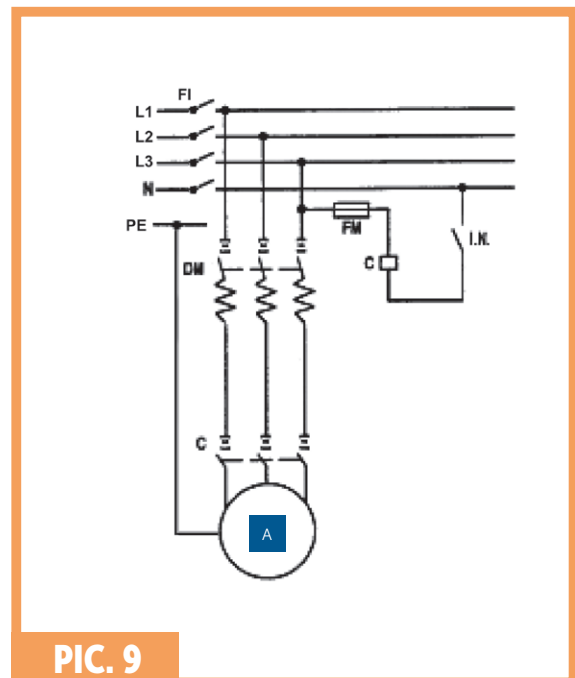
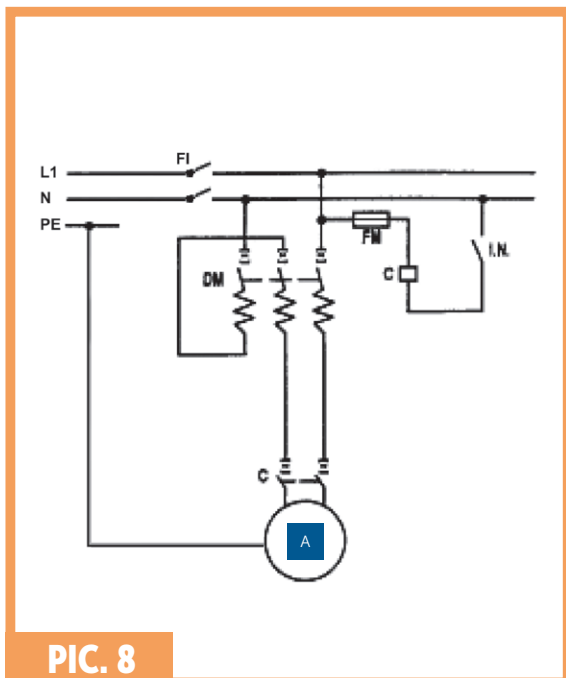
In the event of installation with a three-phase motor, connecting flanges in the terminal board must be placed correctly between the coils of the motor (i.e. as a star). Input and output conductors from the distribution box must be led through bushings preventing humidity and dirt from getting into the distribution box. Conductors must have appropriate terminals for connection.

The electro-pneumatic switch must be installed in a dry place above the water level and at a distance not exceeding further than 7 m from the pneumatic switch on the front of the swim jet. The pneumatic hose (no. 2 pic. 3) is designed for connecting to the electro-pneumatic switch on the electro-pneumatic switch (distribution board). It is very important to check if the hose is not kinked.

The electro-pneumatic panel consists of:

- 1 motor protection
- 1 electro-pneumatic switch
- 1 control fuse

All these components should be installed in the waterproof plastic box with the IP55 rate of protection.



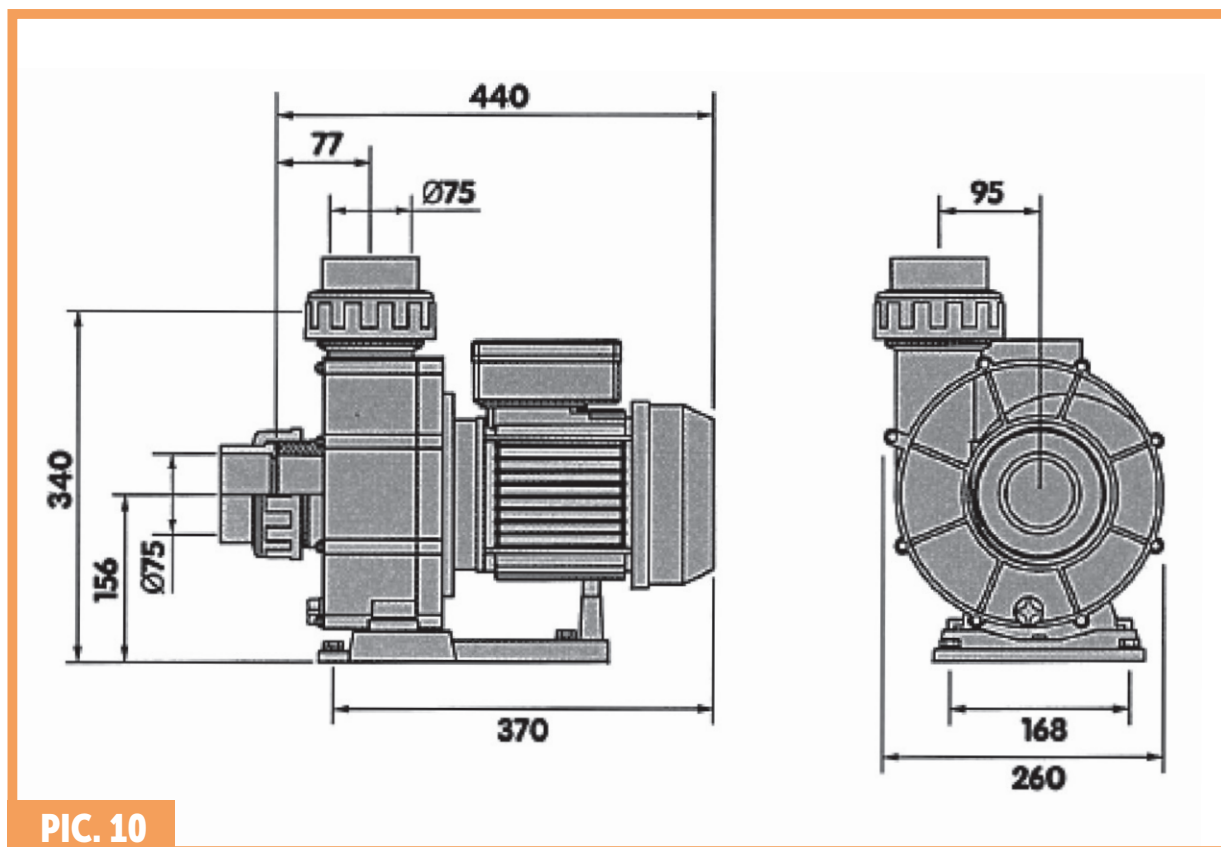
1 Motor

FM - control fuse, DM - heat engine protection, I.N. - electro-pneumatic switch unit, C - contactor, FI - current protector

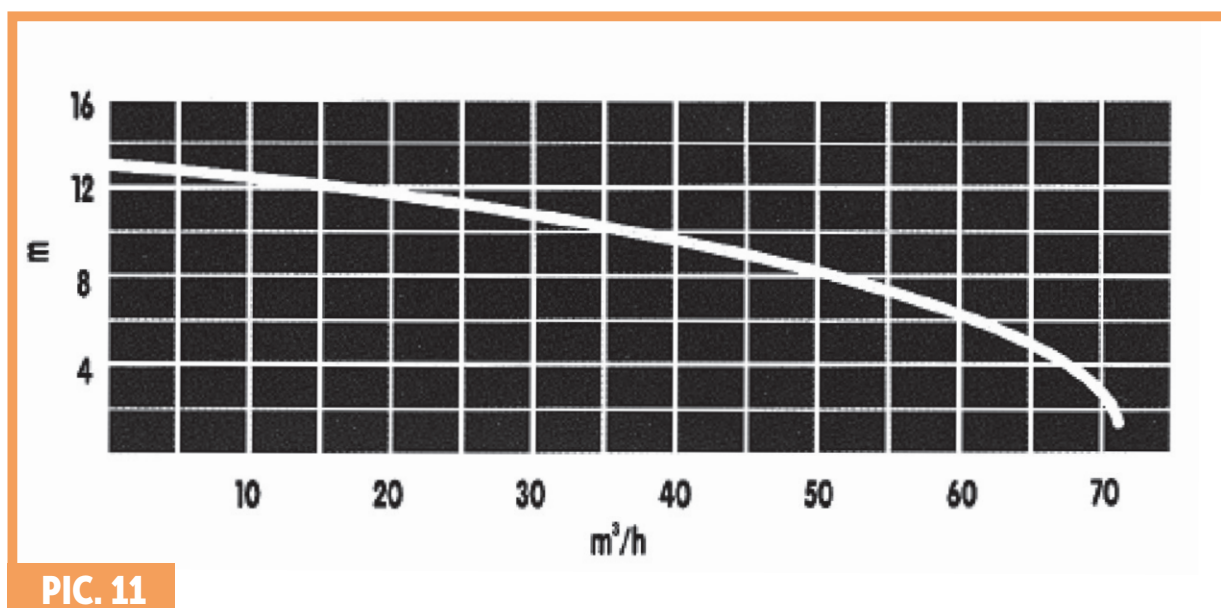
10.

ELEGANCE swim jet pump

The STP-2200 pump is used with the ELEGANCE swim jet with three-phases and with a 2.2 kW electric power input. For dimensions see pic. 10 - power characteristics.



PIC. 10



PIC. 11

