

Blower HANSCRAFT BUBBLE MASTER



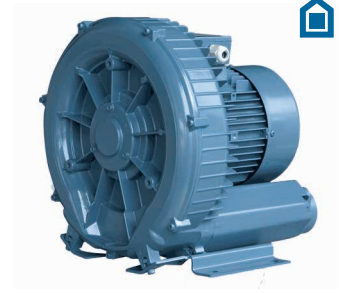
Cat. ID		description	power W	kg
304540	B	Blower HANSCRAFT BUBBLE MASTER 200	200	3,0
304541	B	Blower HANSCRAFT BUBBLE MASTER 300	350	3,0
304542	B	Blower HANSCRAFT BUBBLE MASTER 400	400	3,2
304543	B	Blower HANSCRAFT BUBBLE MASTER 700	700	3,4
304544	B	Blower HANSCRAFT BUBBLE MASTER 900	900	3,4

model	W	current	maximum pressure	flow	noise dB(A)	amount jets	fuse 230 V
BM 200	200	230 / 1,2	0,8	1,0-1,3 m ³ /min	65	6-8	2,0 A
BM 300	350	230 / 1,7	1,2	1,3-1,6 m ³ /min	68	8-12	3,0 A
BM 400	400	230 / 2,8	1,4	1,8-2,0 m ³ /min	70	12-24	4,0 A
BM 700	700	230 / 3,3	2,1	2,0-2,3 m ³ /min	73	16-32	5,0 A
BM 900	900	230 / 4,5	2,6	2,2-2,5 m ³ /min	76	20-40	7,5 A

Blower HANSCRAFT HURRICANE

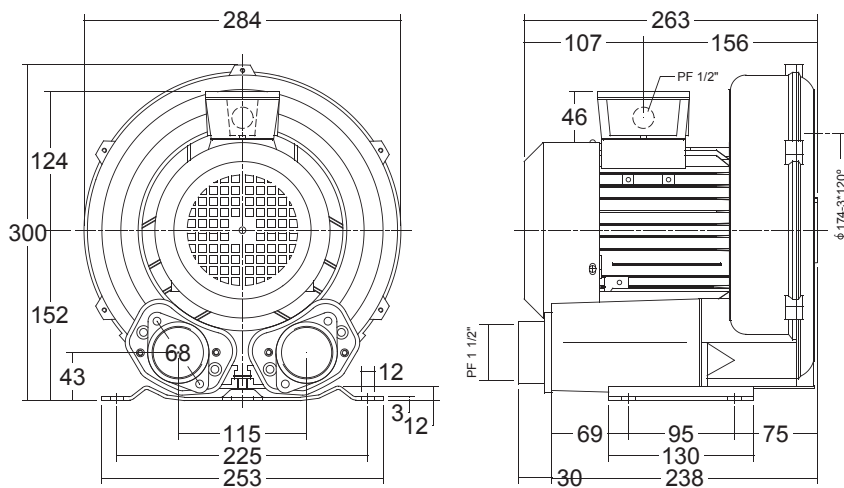


Cat. ID	description	power kW	kg
304530	B Blower HANSCRAFT HURRICANE 750	0,75	16,5
304531	B Blower HANSCRAFT HURRICANE 1100	1,1	16,5
304532	B Blower HANSCRAFT HURRICANE 1500	1,5	26,0

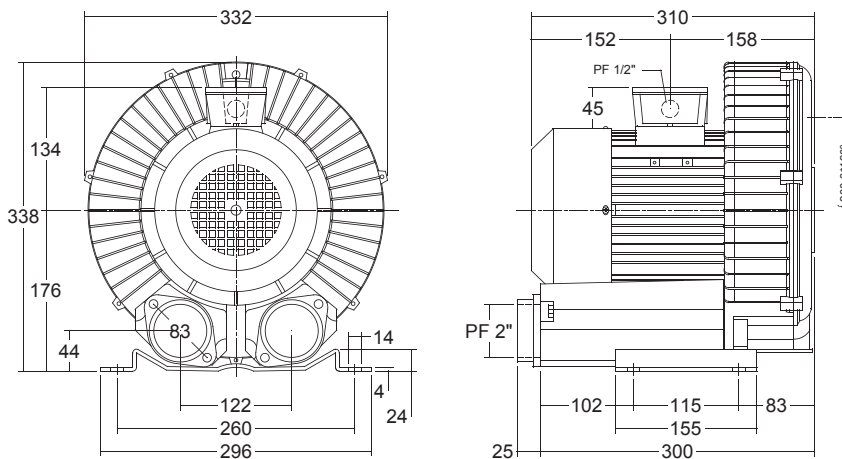


model	W	current	static pressure compressor (mbar)	max. flow	noise dB(A)
HURRICANE 750	750	220 - 240 V	140/160	2,4 m ³ /min	63
HURRICANE 1100	1 100		160/190	2,4 m ³ /min	63
HURRICANE 1500	1 500		180/190	3,6 m ³ /min	63

HURRICANE 750 & 1100



HURRICANE 1500



AIR BLOWERS



Highly advanced super quiet blower

- intake manifold to eliminate small objects and debris from entering blower and causing failure
- unique rubber motor mount which absorbs noise and vibration
- two inch tapered slip fitting eliminating the need for glue or clamps

Code	Description	PKG	WGT
108010	C Ultra 9000 Air Blower 1,0HP, Qmax=110m3/h, Hmax=2,0m	1	2,7
108015	C Ultra 9000 Air Blower 1,5HP, Qmax=108m3/h, Hmax=2,8m	1	3,2
108020	C Ultra 9000 Air Blower 2,0HP, Qmax=112m3/h, Hmax=3,0m	1	3,2
089998	C Metric Adapter 1 1/2" Spg x 50mm	1	



- Continuous, oil-free air flow
- Reliable and built to last
- Robust, yet light weight
- Basically maintenance-free
- Wide performance range
- Low noise level

Code	Description	PKG	WGT
108031	A Air blower 301MG0.7T 0,7kW/400V, 100m3/h 150mbar	1	16
108032	A Air blower 301MG0.7M 0,7kW/230V, 100m3/h 150mbar	1	14
108033	A Air blower 302SG 1,3T 1,3kW/400V, 110m3/h 290mbar		
108042	A Air blower 401MG1.1M 1,1kW/230V, 145m3/h 190mbar		
108045	A Air blower 403MG1.3T 1,3kW/400V, 180m3/h 220mbar		
108046	A Air blower 402SG1.6T 1,6kW/400V, 150m3/h 280mbar		
108047	A Air blower 402SG2.2T 2,2kW/400V, 150m3/h 440mbar		
108051	A Air blower 501MG1.6T 1,6kW/400V, 210m3/h 190mbar		
108052	A Air blower 501MG2.2T 2,2kW/400V, 210m3/h 270mbar		
108053	A Air blower 501MG1.5M 1,5kW/230V, 210m3/h 190mbar		
108054	A Air blower 502SG3.0T 3,0kW/400V, 230m3/h 410mbar		
108060	A Air blower 601MG2.2M 2,2kW/230V, 318m3/h 200mbar		
108061	A Air blower 601MG2.2T 2,2kW/400V, 318m3/h 200mbar		
108062	A Air blower 601MG3.0T 3,0kW/400V, 318m3/h 290mbar		
108063	A Air blower 601MG4.0T 4,0kW/400V, 318m3/h 330mbar		
108065	A Air blower 602SG3.0T 3,0kW/400V, 320m3/h 260mbar		
108066	A Air blower 602SG4.3T 4,3kW/400V, 320m3/h 380mbar		
108067	A Air blower 602SG5.5T 5,5kW/400V, 320m3/h 500mbar		
108071	A Air blower 701MG5.5T 5,5kW/400V, 450m3/h 320mbar		
108072	A Air blower 701MG7.5T 7,5kW/400V, 450m3/h 380mbar		