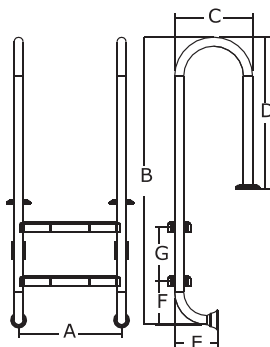


# Pool ladders

## Pool ladders narrow - MURO (non-slip tread) AISI 304



Cat. ID	Description	kg
312012	B Ladder HANSCRAFT MURO – 2 steps	8
312010	B Ladder HANSCRAFT MURO – 3 steps	9,7
312011	B Ladder HANSCRAFT MURO – 4 steps	11,2
312013	B Ladder HANSCRAFT MURO – 5 steps	13



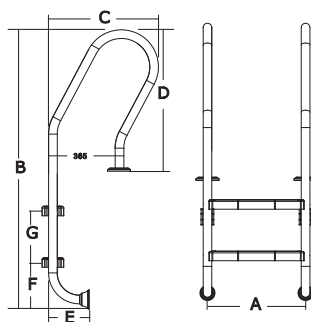
A	B	C	D	E	F	G
493	1 330	360	700	190	200	250
493	1 580	360	700	190	200	250
493	1 830	360	700	190	200	250
493	2 080	360	700	190	200	250

Dimensions in mm

## Pool ladders curved - MIXT (non-slip tread) AISI 304



Cat. ID	Description	kg
312042	B Ladder HANSCRAFT MIXT – 2 steps	9
312040	B Ladder HANSCRAFT MIXT – 3 steps	10,5
312041	B Ladder HANSCRAFT MIXT – 4 steps	12,2
312043	B Ladder HANSCRAFT MIXT – 5 steps	13,7



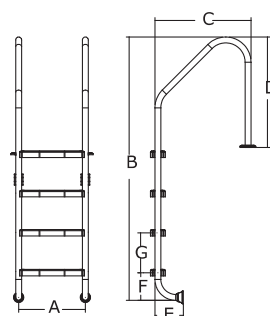
A	B	C	D	E	F	G
493	1 330	533	709	190	200	250
493	1 580	533	709	190	200	250
493	1 830	533	709	190	200	250
493	2 080	533	709	190	200	250

Dimensions in mm

## Pool ladders wide - STANDARD (non-slip tread) AISI 304



Cat. ID	Description	kg
312022	B Ladder HANSCRAFT STANDARD – 2 steps	10
312020	B Ladder HANSCRAFT STANDARD – 3 steps	11,5
312021	B Ladder HANSCRAFT STANDARD – 4 steps	13
312023	B Ladder HANSCRAFT STANDARD – 5 steps	14



A	B	C	D	E	F	G
493	1 320	686	788	190	200	250
493	1 570	686	788	190	200	250
493	1 820	686	788	190	200	250
493	2 070	686	788	190	200	250
493	2 830	692	699	190	200	250

Dimensions in mm

Cat. ID	Description	kg
312030	B Flange bolts to anchor the Ladder	1

The flange is used as a replacement anchor to change the type of installation for all types of HANSCRAFT pool ladders.



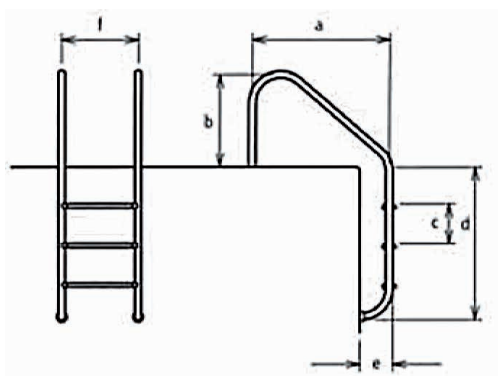
### Ladder HANSCRAFT AISI 316



Cat. ID	Description	kg
312050	B Ladder (on the wall), 2 steps AISI 316	10
312051	B Ladder (on the wall), 3 steps AISI 316	11,8
312052	B Ladder (on the wall), 4 steps AISI 316	13,2
312053	B Ladder (on the wall), 5 steps AISI 316	14

A	B	C	D	E	F
357	610	250	696	200	500
357	610	250	946	200	500
357	610	250	1 196	200	500
357	610	250	1 446	200	500

Dimensions in mm



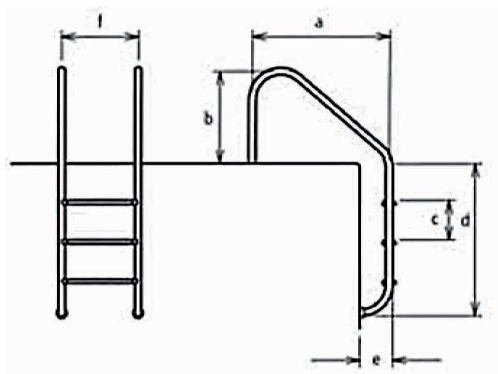
### Ladder (STANDARD) AISI 316



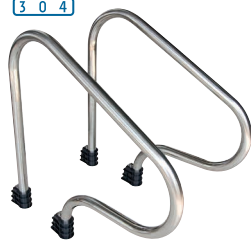
Cat. ID	Description	kg
312054	B Ladder (standard), 2 steps AISI 316	10
312055	B Ladder (standard), 3 steps AISI 316	11,8
312056	B Ladder (standard), 4 steps AISI 316	13,2
312057	B Ladder (standard), 5 steps AISI 316	14

A	B	C	D	E	F
664	610	250	696	200	500
664	610	250	946	200	500
664	610	250	1 196	200	500
664	610	250	1 446	200	500

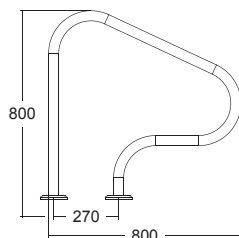
Dimensions in mm



## Handrail HANSCRAFT ARP AISI 304



Cat. ID	Description	kg
312060	B Handrail HANSCRAFT ARP	3,4

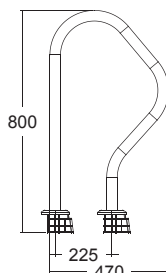


Polished AISI 304 stainless steel with a diameter of 42 mm.

## Handrail HANSCRAFT ARV AISI 304



Cat. ID	Description	kg
312061	B Handrail HANSCRAFT ARV	5

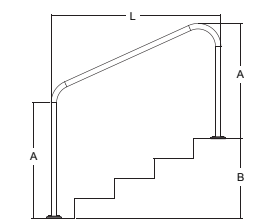


Polished AISI 304 stainless steel with a diameter of 42 mm.

## Handrail HANSCRAFT ARN



Cat. ID	Description	kg
312062	B Handrail HANSCRAFT ARN 4	5
312063	B Handrail HANSCRAFT ARN 5	4



Polished AISI 304 stainless steel with a diameter of 42 mm.

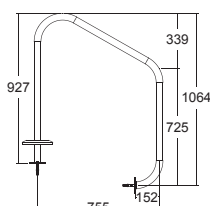
L	A	B
1 220	800	608
1 524	800	855

Dimensions in mm

## Handrail HANSCRAFT ARS AISI 304



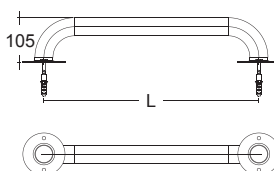
Cat. ID	Description	kg	RRP (EUR)
312064	B Handrail HANSCRAFT ARS	4	145,00



## Handrail HANSCRAFT DSR AISI 304



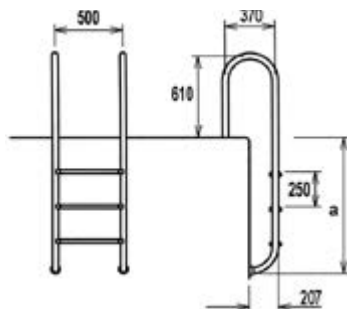
Cat. ID	Description	kg
312070	B Handrail HANSCRAFT long - 0,5 m	3
312071	B Handrail HANSCRAFT long - 1 m	6
312072	B Handrail HANSCRAFT long - 1,5 m	9
312073	B Handrail HANSCRAFT long - 2 m	12



# MURO LADDER



The high quality stainless steel ladders are made of bright polished stainless steel tubes in AISI304 / V2A or AISI316 / V4A with a diameter of 43 mm and are delivered with a full set of accessories.



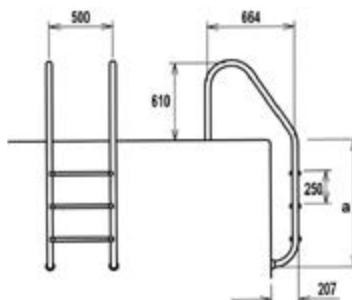
Steps	a (mm)	Pool (cm)
2	696	100
3	946	120
4	1196	150
5	1446	175

Code	Description	PKG	WGT
110002	C Ladder AISI 304 Muro 2 steps	1	10
110003	C Ladder AISI 304 Muro 3 steps	1	11,8
110004	C Ladder AISI 304 Muro 4 steps	1	13,2
110005	C Ladder AISI 304 Muro 5 steps	1	14
110012	C Ladder AISI 316 Muro 2 steps	1	10
110013	C Ladder AISI 316 Muro 3 steps	1	11,8
110014	C Ladder AISI 316 Muro 4 steps	1	13,2
110015	C Ladder AISI 316 Muro 5 steps	1	14

# STANDARD LADDER



The high quality stainless steel ladders are made of bright polished stainless steel tubes in AISI304 / V2A or AISI316 / V4A with a diameter of 43 mm and are delivered with a full set of accessories.



Steps	a (mm)	Pool (cm)
2	696	100
3	946	120
4	1196	150
5	1446	175

Code	Description	PKG	WGT
111002	C Ladder AISI 304 Standard 2 steps	1	10
111003	C Ladder AISI 304 Standard 3 steps	1	11,8
111004	C Ladder AISI 304 Standard 4 steps	1	13,2
111005	C Ladder AISI 304 Standard 5 steps	1	14
111012	C Ladder AISI 316 Standard 2 steps	1	10
111013	C Ladder AISI 316 Standard 3 steps	1	11,8
111014	C Ladder AISI 316 Standard 4 steps	1	13,2
111015	C Ladder AISI 316 Standard 5 steps	1	14



## OVERFLOW LADDER

The high quality stainless steel ladders are made of bright polished stainless steel tubes in AISI316 / V4A with a diameter of 43 mm and are delivered with a full set of accessories.



Steps	a (mm)	Pool (cm)
3	696	100
4	946	120
5	1196	150

Code	Description	PKG	WGT
113013	C Ladder AISI 316 Overflow 3 steps	1	13,8
113014	C Ladder AISI 316 Overflow 4 steps	1	15,8
113015	C Ladder AISI 316 Overflow 5 steps	1	16,8

## LADDER TWO PARTS

The high quality stainless steel ladders are made of bright polished stainless steel tubes in AISI316 / V4A with a diameter of 43 mm and are delivered with a full set of accessories.



Steps	a (mm)	Pool (cm)
2	696	100
3	946	120
4	1196	150
5	1446	175

Code	Description	PKG	WGT
114012	C Ladder AISI 316 Two Parts 2 steps	1	14,5
114013	C Ladder AISI 316 Two Parts 3 steps	1	15,5
114014	C Ladder AISI 316 Two Parts 4 steps	1	16,5
114015	C Ladder AISI 316 Two Parts 5 steps	1	17,5

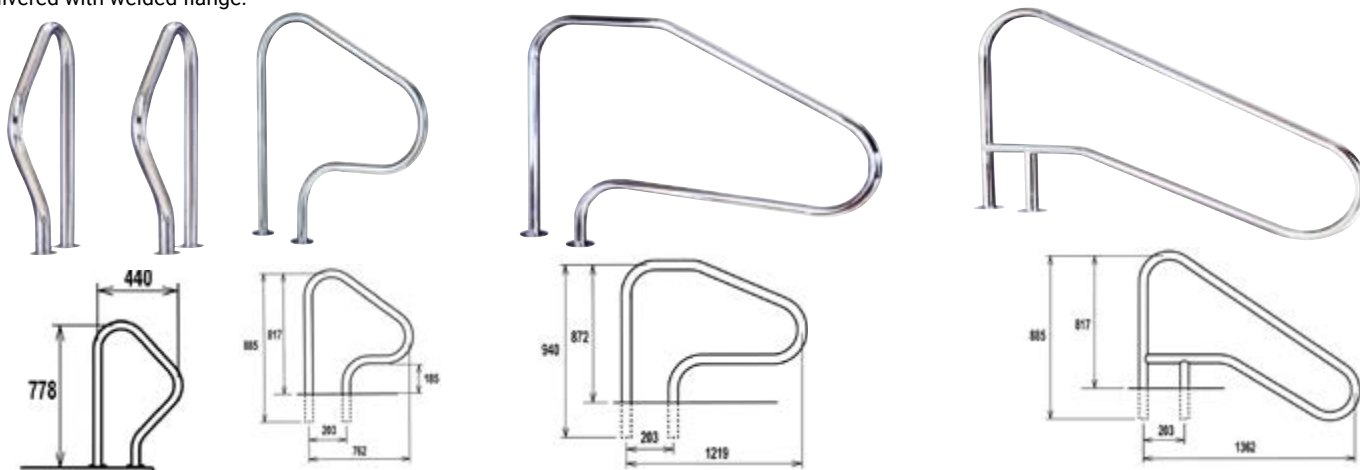


Steps	a (mm)	b (mm)	c (mm)
3 + 3	1155	1670	1065
4 + 4	1350	1900	1295
5 + 5	1545	2130	1525
1 + 4	1900	1295	690
1 + 5	2130	1525	920

Code	Description	PKG	WGT
118000	C Two pronged ladder 3 + 3 steps, up to 1,0m	1	19
118001	C Two pronged ladder 4 + 4 steps, up to 1,2m	1	21
118002	C Two pronged ladder 5 + 5 steps, up to 1,5m	1	23
118003	C Two pronged ladder 1 + 4 steps, up to 1,2m	1	18
118004	C Two pronged ladder 1 + 5 steps, up to 1,5m	1	19

# HAND RAILS

The high quality stainless steel handrails are made of bright polished stainless steel tubes in AISI316 / V4A with a diameter of 43 mm and are delivered with welded flange.

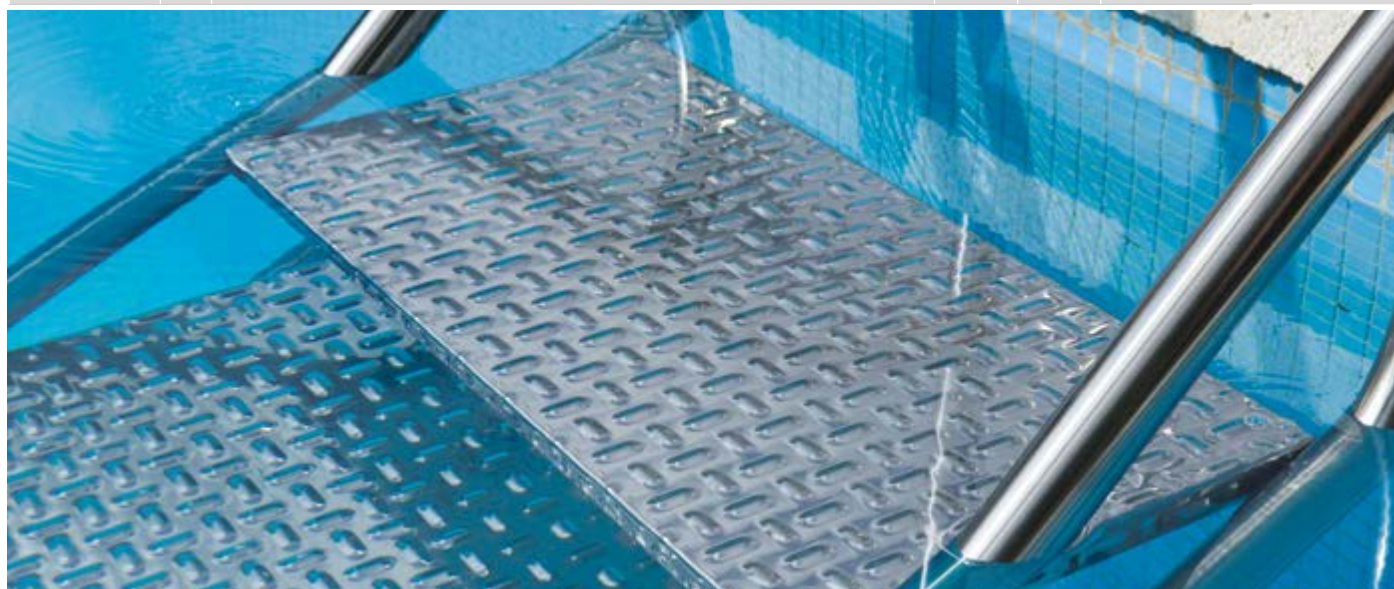


Code	Description	PKG	WGT
119001	C Hand Rail 778 x 440mm AISI316 - 1 pair	2	7
119002	C Hand Rail 817 x 762mm AISI316	1	3,6
119003	C Hand Rail SPA AISI316	1	4,8
119004	C Hand Rail 872 x 1219mm AISI316	1	5,4
119005	C Hand Rail 817 x 1362mm AISI316		

The high quality stainless steel ladders are made of bright polished stainless steel tubes in AISI316 / V4A with a diameter of 43 mm and are delivered with a full set of accessories.



Code	Description	PKG	WGT
119006	C Hand Rail 660 x 1219mm AISI316	1	4,5
119007	C Hand Rail 915 x 1524mm AISI316	1	4,9
119008	C Hand Rail 1169 x 1829mm AISI316	1	5,4
119009	C Hand Rail 1169 x 1829mm AISI316	1	5,5



# PARTS



	Code	Description	PKG	WGT
1	115001	R Rubber Bumper	2	0,05
2	115002	R Articulated rubber bumper	2	0,18
3	115003	R Ladder flange set AISI316	2	0,82
4	115004	R Anchor socket	1	0,28
5	115007	R Anti-slip pad	10	
6	115008	R Articulated anchor with flange	2	1,7
7	115009	R Escutcheon AISI304	2	0,65
8	115011	R Kit for liner	2	1
9	155502	D NETA INOX non - foaming, acid descaler and rust remover 1 L	6	1

