

POOL ENCLOSURES

Code	Product	Price
 Klasik		
418.00.1120.0	Klasik A DB703 BOX	3 494 €
418.00.1112.0	Klasik A Silver Elox BOX	
418.00.1220.0	Klasik B DB703 BOX	5 200 €
418.00.1211.0	Klasik B Silver Elox BOX	
418.00.1320.0	Klasik C DB703 BOX	7 388 €
418.00.1311.0	Klasik C Silver Elox BOX	
418.00.2120.0	Klasik Clear A DB703 BOX	4 576 €
418.00.2112.0	Klasik Clear A Silver Elox BOX	
418.00.2220.0	Klasik Clear B DB703 BOX	6 698 €
418.00.2211.0	Klasik Clear B Silver Elox BOX	
418.00.2320.0	Klasik Clear C DB703 BOX	9 376 €
418.00.2311.0	Klasik Clear C Silver Elox BOX	
420.00.0100.0	Klasik Pro DB703 BOX	5 484 €
420.00.1100.0	Klasik Pro Clear DB703 BOX	6 980 €
418.00.1120.1	Klasik A DB703 NOBOX	4 054 €
418.00.1112.1	Klasik A Silver Elox NOBOX	

Code	Product	Price
418.00.1220.1	Klasik B DB703 NOBOX	6 032 €
418.00.1211.1	Klasik B Silver Elox NOBOX	
418.00.1320.1	Klasik C DB703 NOBOX	8 570 €
418.00.1311.1	Klasik C Silver Elox NOBOX	
418.00.2120.1	Klasik Clear A DB703 NOBOX	5 308 €
418.00.2112.1	Klasik Clear A Silver Elox NOBOX	
418.00.2220.1	Klasik Clear B DB703 NOBOX	7 768 €
418.00.2211.1	Klasik Clear B Silver Elox NOBOX	
418.00.2320.1	Klasik Clear C DB703 NOBOX	10 876 €
418.00.2311.1	Klasik Clear C Silver Elox NOBOX	
3Z01-24-003D	Klasik Pro DB703 NOBOX	6 360 €
3Z01-24-004D	Klasik Pro Clear DB703 NOBOX	8 098 €

Dallas

048.00.1120.0	Dallas A DB703 BOX	3 818 €
048.00.1110.0	Dallas A Silver Elox BOX	
048.00.1220.0	Dallas B DB703 BOX	5 658 €
048.00.1210.0	Dallas B Silver Elox BOX	
048.00.1122.0	Dallas Clear A DB703 BOX	4 874 €
048.00.1112.0	Dallas Clear A Silver Elox BOX	
048.00.1222.0	Dallas Clear B DB703 BOX	7 214 €
048.00.1212.0	Dallas Clear B Silver Elox BOX	
048.00.1120.1	Dallas A DB703 NOBOX	4 430 €
048.00.1110.1	Dallas A Silver Elox NOBOX	
048.00.1220.1	Dallas B DB703 NOBOX	6 562 €
048.00.1210.1	Dallas B Silver Elox NOBOX	
048.00.1122.1	Dallas Clear A DB703 NOBOX	5 656 €
048.00.1112.1	Dallas Clear A Silver Elox NOBOX	
048.00.1222.1	Dallas Clear B DB703 NOBOX	8 368 €
048.00.1212.1	Dallas Clear B Silver Elox NOBOX	

Casablanca Infinity

3Z03-03-002G	Casablanca Infinity A carbon BOX	6 442 €
3Z03-03-004G	Casablanca Infinity A carbon BOX Rails on the left side only*	7 086 €
3Z03-03-006G	Casablanca Infinity A carbon BOX Rails on the right side only*	
3Z03-04-002G	Casablanca Infinity B carbon BOX	9 310 €
3Z03-04-004G	Casablanca Infinity B carbon BOX Rails on the left side only*	10 240 €
3Z03-04-006G	Casablanca Infinity B carbon BOX Rails on the right side only*	
3Z03-03-001G	Casablanca Infinity A carbon NOBOX	7 472 €
3Z03-03-003G	Casablanca Infinity A carbon NOBOX Rails on the left side only*	8 218 €
3Z03-03-005G	Casablanca Infinity A carbon NOBOX Rails on the right side only*	
3Z03-04-001G	Casablanca Infinity B carbon NOBOX	10 800 €
3Z03-04-003G	Casablanca Infinity B carbon NOBOX Rails on the left side only*	11 878 €
3Z03-04-005G	Casablanca Infinity B carbon NOBOX Rails on the right side only*	

*Available from 03/2018.

Code	Product	Price
Rail extension		
005.00.0043.0	Rail extension AIR A (cm)	0,92 €
005.00.1044.0	Rail extension AIR A 250 cm	183 €
005.00.0041.0	Rail extension AIR A 280 cm	214 €
005.00.0042.0	Rail extension AIR A 323 cm	242 €
005.00.0047.0	Rail extension AIR B (cm)	1,22 €
005.00.1045.0	Rail extension AIR B 250cm	229 €
005.00.0045.0	Rail extension AIR B 280 cm	253 €
005.00.0046.0	Rail extension AIR B 323 cm	290 €
005.00.0051.0	Rail extension AIR C (cm)	1,5 €
005.00.1046.0	Rail extension AIR C 250cm	281 €
005.00.0049.0	Rail extension AIR C 280 cm	315 €
005.00.0050.0	Rail extension AIR C 323 cm	361 €
Lockable stoppers		
097.02.0101.0	Lockable stoppers - Klasik (Clear) A, Dallas (Clear) A	21,8 €
097.02.0105.0	Lockable stoppers - Casablanca Infinity A	21,8 €
097.02.0102.0	Lockable stoppers - Klasik (Clear) B	32,8 €
097.02.0104.0	Lockable stoppers - Dallas (Clear) B, Casablanca Infinity B, Klasik Pro B	32,8 €
097.02.0103.0	Lockable stoppers - Klasik (Clear) C	43,6 €

CUSTOM CASABLANCA INFINITY

	standard length E (cm)	width B up to (cm)	minimum height V (cm)	profile	Price (EUR)		standard length E (cm)	width B to (cm)	minimum height V (cm)	profile	Price (EUR)
219 (1 module)	200	36	L		3 398 €	1073 (5 modules)	200	61	L		11 105 €
	250	39	L		3 532 €		250	63	L		11 476 €
	300	42	L		3 679 €		300	66	L		12 080 €
	350	45	L		4 157 €		350	69	L		13 274 €
	400	47	L		4 301 €		400	72	L		13 883 €
	450	50	L		4 489 €		450	75	L		14 277 €
	500	53	L		4 903 €		500	78	L		15 526 €
	550	56	L+		5 114 €		550	80	L+		16 235 €
	600	58	L+		5 220 €		600	83	L+		16 627 €
	650	81	XL		7 450 €		650	120	XL		22 378 €
700	85	XL		7 518 €	700	123	XL		22 931 €		
750	88	XL		8 265 €	750	126	XL		24 887 €		
800	91	XL		8 485 €	800	130	XL		25 451 €		
850	95	XL		8 699 €	850	133	XL		26 245 €		
433 (2 modules)	200	42	L		5 159 €	200	67	L		13 256 €	
	250	45	L		5 360 €	250	70	L		13 709 €	
	300	48	L		5 617 €	300	72	L		14 405 €	
	350	51	L		6 278 €	350	75	L		15 783 €	
	400	54	L		6 540 €	400	78	L		16 502 €	
	450	57	L		6 841 €	450	81	L		16 964 €	
	500	60	L		7 403 €	500	84	L		18 405 €	
	550	62	L+		7 735 €	550	86	L+		19 244 €	
	600	65	L+		7 917 €	600	89	L+		19 702 €	
	650	91	XL		11 114 €	650	128	XL		26 281 €	
700	94	XL		11 236 €	700	132	XL		26 970 €		
750	98	XL		12 292 €	750	135	XL		28 897 €		
800	101	XL		12 558 €	800	138	XL		29 858 €		
850	104	XL		12 916 €	850	141	XL		30 789 €		
646 (3 modules)	200	48	L		6 861 €	200	73	L		15 477 €	
	250	51	L		7 128 €	250	76	L		15 998 €	
	300	54	L		7 496 €	300	79	L		16 821 €	
	350	57	L		8 340 €	350	82	L		18 383 €	
	400	60	L		8 712 €	400	85	L		19 221 €	
	450	63	L		8 984 €	450	88	L		19 742 €	
	500	66	L		9 835 €	500	91	L		21 361 €	
	550	68	L+		10 295 €	550	93	L+		22 347 €	
	600	71	L+		10 545 €	600	95	L+		22 832 €	
	650	101	XL		14 904 €	650	137	XL		30 233 €	
700	104	XL		15 064 €	700	140	XL		31 033 €		
750	107	XL		16 387 €	750	143	XL		33 188 €		
800	110	XL		16 764 €	800	147	XL		34 345 €		
850	114	XL		17 282 €	850	150	XL		35 011 €		
860 (4 modules)	200	54	L		9 029 €						
	250	57	L		9 347 €						
	300	60	L		9 841 €						
	350	63	L		10 851 €						
	400	66	L		11 350 €						
	450	69	L		11 677 €						
	500	72	L		12 734 €						
	550	74	L+		13 312 €						
	600	77	L+		13 639 €						
	650	110	XL		18 496 €						
700	113	XL		18 966 €							
750	117	XL		20 617 €							
800	120	XL		21 087 €							
850	123	XL		21 721 €							

The basic price includes:

- enclosure in standard length and minimum height
- 3 supporting profiles per module

- 4 mm compact polycarbonate

- 1 of 3 colours of category 1: Silver Elox, DB703, Bronze
- Air rails in the length of an enclosure

CUSTOM CASABLANCA INFINITY

TRACKLESS

	standard length E (cm)	width B up to (cm)	minimum height V (cm)	profile	Price (EUR)		standard length E (cm)	width B to (cm)	minimum height V (cm)	profile	Price (EUR)
219 (1 module)	200	33	L		4 186 €	1073 (5 modules)	200	58	L		14 258 €
	250	35	L		4 322 €		250	60	L		14 657 €
	300	37	L		4 471 €		300	63	L		15 298 €
	350	39	L		4 962 €		350	65	L		16 535 €
	400	41	L		5 114 €		400	67	L		17 163 €
	450	44	L		5 313 €		450	69	L		17 810 €
500	46	L		5 736 €	500	71	L		18 861 €		
433 (2 modules)	200	39	L		6 700 €	1287 (6 modules)	200	65	L		16 797 €
	250	41	L		6 905 €		250	67	L		17 267 €
	300	43	L		7 169 €		300	69	L		18 006 €
	350	46	L		7 860 €		350	71	L		19 434 €
	400	48	L		8 127 €		400	73	L		20 176 €
	450	50	L		8 436 €		450	76	L		20 674 €
500	52	L		9 012 €	500	78	L		22 167 €		
646 (3 modules)	200	46	L		9 225 €	1500 (7 modules)	200	71	L		19 312 €
	250	48	L		9 501 €		250	73	L		19 852 €
	300	50	L		9 880 €		300	75	L		20 705 €
	350	52	L		10 752 €		350	78	L		22 346 €
	400	54	L		11 134 €		400	80	L		23 216 €
	450	56	L		11 573 €		450	82	L		23 751 €
500	58	L		12 290 €	500	84	L		25 427 €		
860 (4 modules)	200	52	L		11 744 €						
	250	54	L		12 073 €						
	300	56	L		12 583 €						
	350	58	L		13 629 €						
	400	61	L		14 158 €						
	450	63	L		14 686 €						
500	65	L		15 585 €							

CUSTOM DALLAS

	standard length E (cm)	width B up to (cm)	minimum height V (cm)	profile	Price (EUR)		standard length E (cm)	width B up to (cm)	minimum height V (cm)	profile	Price (EUR)					
219 (1 module)	300	61	M		2 125 €	1073 (5 modules)	300	84	M		6 481 €					
	350	64	M		2 618 €		350	86	M		7 244 €					
	400	69	M		2 691 €		400	89	M		7 468 €					
	450	72	M		2 786 €		450	91	M		7 942 €					
	500	81	L		3 271 €		500	98	L		8 968 €					
	550	88	L		3 378 €		550	105	L		9 218 €					
433 (2 modules)	600	98	L+		3 498 €	600	112	L+		9 603 €	1287 (6 modules)	300	90	M		7 734 €
	300	67	M		3 037 €	350	92	M		8 658 €						
	350	69	M		3 603 €	400	94	M		8 901 €						
	400	74	M		3 714 €	450	97	M		9 464 €						
	450	77	M		3 844 €	500	103	L		10 631 €						
	500	85	L		4 524 €	550	109	L		10 916 €						
646 (3 modules)	550	92	L		4 669 €	600	116	L+		11 361 €	1500 (7 modules)	300	97	M		9 055 €
	600	101	L+		4 858 €	350	98	M		10 141 €						
	300	72	M		3 882 €	400	100	M		10 406 €						
	350	75	M		4 522 €	450	102	M		11 057 €						
	400	79	M		4 669 €	500	108	L		12 358 €						
	450	82	M		4 975 €	550	114	L		12 696 €						
860 (4 modules)	500	89	L		5 709 €	600	121	L+		13 259 €	1500 (7 modules)	300	78	M		5 235 €
	550	96	L		5 882 €	350	80	M		5 933 €						
	600	105	L+		6 144 €	400	84	M		6 127 €						
	300	78	M		5 235 €	450	86	M		6 516 €						
	350	80	M		5 933 €	500	94	L		7 399 €						
	400	84	M		6 127 €	550	100	L		7 607 €						
860 (4 modules)	450	86	M		6 516 €	600	108	L+		7 928 €	1500 (7 modules)	300	78	M		5 235 €
	500	94	L		7 399 €	350	80	M		5 933 €						
	550	100	L		7 607 €	400	84	M		6 127 €						
	600	108	L+		7 928 €	450	86	M		6 516 €						
	300	78	M		5 235 €	500	94	L		7 399 €						
	350	80	M		5 933 €	550	100	L		7 607 €						

CUSTOM KLASIK

	standard length E (cm)	width B up to (cm)	minimum height V (cm)	profile	Price (EUR)		standard length E (cm)	width B up to (cm)	minimum height V (cm)	profile	Price (EUR)					
219 (1 module)	300	80	M		2 165 €	1073 (5 modules)	300	95	M		6 563 €					
	350	90	M		2 656 €		350	105	M		7 284 €					
	400	105	M		2 761 €		400	115	M		7 538 €					
	450	115	M		2 872 €		450	125	M		7 798 €					
	500	125	M		3 254 €		500	135	M		8 501 €					
	550	135	L		3 447 €		550	145	L		9 135 €					
433 (2 modules)	600	145	L		3 556 €	600	155	L		9 409 €	1287 (6 modules)	300	95	M		7 874 €
	300	85	M		3 097 €	350	105	M		8 654 €						
	350	95	M		3 647 €	400	115	M		8 946 €						
	400	105	M		3 777 €	450	125	M		9 245 €						
	450	115	M		3 925 €	500	140	M		10 065 €						
	500	125	M		4 387 €	550	150	L		10 812 €						
646 (3 modules)	550	140	L		4 713 €	600	160	L		11 124 €	1500 (7 modules)	300	100	M		9 293 €
	600	150	L		4 862 €	350	110	M		10 133 €						
	650	160	L		5 330 €	400	120	M		10 454 €						
	300	85	M		3 940 €	450	130	M		10 801 €						
	350	95	M		4 548 €	500	140	M		11 655 €						
	400	110	M		4 741 €	550	150	L		12 518 €						
860 (4 modules)	450	120	M		4 921 €	600	160	L		12 864 €	1500 (7 modules)	650	170	L		12 112 €
	500	130	M		5 470 €	650	170	L		12 112 €						
	550	140	L		5 878 €	300	100	M		9 293 €						
	600	150	L		6 075 €	350	110	M		10 133 €						
	650	165	L		6 695 €	400	120	M		10 454 €						
	300	90	M		5 310 €	450	130	M		10 801 €						
860 (4 modules)	350	100	M		5 970 €	500	140	M		11 655 €	1500 (7 modules)	550	150	L		12 518 €
	400	110	M		6 186 €	600	160	L		12 864 €						
	450	120	M		6 406 €	650	175	L		14 034 €						
	500	130	M		7 032 €	300	90	M		5 310 €						
	550	145	L		7 583 €	350	100	M		5 970 €						
	600	155	L		7 819 €	400	110	M		6 186 €						
860 (4 modules)	650	165	L		8 543 €	450	120	M		6 406 €	1500 (7 modules)	500	130	M		7 032 €
	300	90	M		5 310 €	550	145	L		7 583 €						
	350	100	M		5 970 €	600	155	L		7 819 €						
	400	110	M		6 186 €	650	165	L		8 543 €						
	450	120	M		6 406 €	300	90	M		5 310 €						
	500	130	M		7 032 €	350	100	M		5 970 €						

The basic price includes:

- enclosure in standard length and minimum height
- 3 supporting profiles per module

- 8 mm twin wall polycarbonate
- 1 of 3 colours of category 1: Silver Elox, DB703, Bronze
- Air rails in the length of an enclosure

CUSTOM CASABLANCA



	standard length E (cm)	width B up to (cm)	minimum height V (cm)	profile	Price (EUR)		standard length E (cm)	width B up to (cm)	minimum height V (cm)	profile	Price (EUR)
219 (1 module)	200	36	L		2 836 €	1073 (5 modules)	200	61	L		10 139 €
	250	39	L		2 981 €		250	63	L		10 646 €
	300	42	L		3 053 €		300	66	L		10 883 €
	350	45	L		3 672 €		350	69	L		12 200 €
	400	47	L		3 742 €		400	72	L		12 439 €
	450	50	L		3 837 €		450	75	L		12 689 €
	500	53	L		4 324 €		500	78	L		13 947 €
	550	56	L+		4 443 €		550	80	L+		14 301 €
	600	58	L+		4 519 €		600	83	L+		14 554 €
	650	81	XL		6 937 €		650	120	XL		20 756 €
	700	85	XL		6 998 €		700	123	XL		20 973 €
	750	88	XL		7 667 €		750	126	XL		22 936 €
	433 (2 modules)	200	42	L			4 467 €	1287 (6 modules)	200	67	L
250		45	L		4 707 €	250	70		L		12 844 €
300		48	L		4 818 €	300	72		L		13 110 €
350		51	L		5 613 €	350	75		L		14 604 €
400		54	L		5 726 €	400	78		L		14 882 €
450		57	L		5 862 €	450	81		L		15 173 €
500		60	L		6 540 €	500	84		L		16 621 €
550		62	L+		6 716 €	550	86		L+		17 037 €
600		65	L+		6 839 €	600	89		L+		17 331 €
650		91	XL		10 223 €	650	128		XL		24 426 €
700		94	XL		10 324 €	700	132		XL		24 704 €
750		98	XL		11 322 €	750	135		XL		26 602 €
800		101	XL		11 532 €	800	138		XL		27 482 €
850	104	XL		11 730 €	850	141	XL		27 955 €		
646 (3 modules)	200	48	L		6 030 €	1500 (7 modules)	200	73	L		14 411 €
	250	51	L		6 365 €		250	76	L		15 118 €
	300	54	L		6 515 €		300	79	L		15 433 €
	350	57	L		7 487 €		350	82	L		17 104 €
	400	60	L		7 639 €		400	85	L		17 427 €
	450	63	L		7 814 €		450	88	L		17 754 €
	500	66	L		8 684 €		500	91	L		19 383 €
	550	68	L+		8 921 €		550	93	L+		19 871 €
	600	71	L+		9 086 €		600	95	L+		20 184 €
	650	101	XL		13 647 €		650	137	XL		28 166 €
	700	104	XL		13 778 €		700	140	XL		28 484 €
	750	107	XL		15 076 €		750	143	XL		30 628 €
	800	110	XL		15 370 €		800	147	XL		31 680 €
850	114	XL		15 649 €	850	150	XL		32 208 €		
860 (4 modules)	200	54	L		8 141 €						
	250	57	L		8 562 €						
	300	60	L		8 760 €						
	350	63	L		9 900 €						
	400	66	L		10 100 €						
	450	69	L		10 309 €						
	500	72	L		11 377 €						
	550	74	L+		11 669 €						
	600	77	L+		11 881 €						
	650	110	XL		17 141 €						

The basic price includes:

- enclosure in standard length and minimum height
- 3 supporting profiles per module

CUSTOM MONACO FUTURE



	standard length E (cm)	width B up to (cm)	minimum height V (cm)	profile	Price (EUR)		standard length E (cm)	width B up to (cm)	minimum height V (cm)	profile	Price (EUR)
219 (1 module)	400	215	L		4 086 €	1073 (5 modules)	400	245	L		11 683 €
	450	225	L		4 244 €		450	250	L		12 354 €
	500	225	L		4 819 €		500	250	L		13 571 €
	550	225	L+		4 965 €		550	250	L+		13 967 €
	600	227	L+		5 088 €		600	250	L+		14 242 €
433 (2 modules)	400	225	L		5 749 €	1287 (6 modules)	400	250	L		14 060 €
	450	225	L		5 887 €		450	250	L		14 620 €
	500	230	L		6 720 €		500	250	L		15 991 €
	550	230	L+		6 930 €		550	250	L+		16 454 €
	600	230	L+		7 086 €		600	250	L+		16 761 €
646 (3 modules)	400	230	L		7 568 €	1500 (7 modules)	400	-	-		-
	450	235	L		7 763 €		450	250	L		16 975 €
	500	235	L		8 795 €		500	250	L		18 452 €
	550	235	L+		9 056 €		550	250	L+		19 028 €
	600	235	L+		9 265 €		600	250	L+		19 336 €
860 (4 modules)	400	235	L		9 542 €						
	450	245	L		10 027 €						
	500	245	L		11 066 €						
	550	245	L+		11 395 €						
	600	245	L+		11 639 €						

- 8 or 10 mm twin wall polycarbonate

- 1 of 3 colours of category 1: Silver Elox, DB703, Bronze

- Air rails in the length of an enclosure

POOL ENCLOSURES - SURCHARGES

Category	Surcharge	Price (EUR)
Enclosure size	Increasing the length of the enclosure up to 50 cm above standard length	+11 % of the basic price
	Increasing the length of the enclosure from 50.1 cm to 100 cm above standard length	+22 % of the basic price
	Increasing the length of the enclosure for more than 100 cm above standard length	+33 % of the basic price
	Shortening the length of the enclosure - any	+6 % of the basic price
	Increasing the height of the enclosure - per each 10 cm above the minimum height	+2 % of the basic price
	4 supporting profiles on the module	+25 % of the basic price
	5 supporting profiles on the module	+50 % of the basic price
Doors	Hinged door in the front/back panel	603 €
	Double hinged door in the front/back panel	1 166 €
	Sliding door in the front/back panel	661 €
	Double sliding door in the front/back panel	1 190 €
	Side door in the biggest module	687 €
Front/back panel, ventilation	Clapper in the front/back panel	612 €
	Miniclapper in the front/back panel (only for Casablanca and Casablanca Infinity)	179 €
	Tipping front/back panel (only for Casablanca and Casablanca Infinity)	144 €
	Segmented front/back panel	229 €
	Removable front panel	61 €
Rail extension	Air rails 70 mm extension - double-sided, for 1 cm and 1 module	0,4 €
	Air rails 110 mm extension - double-sided, for 1 cm and 1 module	0,7 €
Frame color	Category 2 color: Walnut, Elm, RAL6005, Golden Oak, RAL7016, Carbon, Pine	+10 % of the basic price
	Category 3 color: please see the decoral chart	+25 % of the basic price
Roofing material colour	Smoky twin wall polycarbonate - per 1m ²	9 €/1 m²
	Twin wall polycarbonate Hammer Finish	6 €/1 m²
	SAN clear - per 1 m ²	25 €/1 m²
	Clear compact polycarbonate - per 1m ²	32 €/1 m²
	Colored compact polycarbonate - per 1m ²	45 €/1 m²



Enclosures for your pool	52
Range of enclosure models	53
Casablanca Infinity	54
Casablanca	58
Dallas	62
Dallas Clear	66
Klasik	70
Klasik Clear	74
Klasik Pro	78
Monaco Future	82
Enclosure details	86
Supporting profiles	88
Roofing material	89

Enclosures for your pool



What to do when it's raining outside all day long and winter is knocking on the door? Extend the swimming season with the help of a practical enclosure that helps you save not only on resources for running the pool, but also time spent on maintaining it. ALBIXON enclosures increase the water temperature by an average of 10°C, effectively prevent pollution of the water from impurities, and protect the water from harmful external influences.

Another key benefits are the safety and security. The quality security features, which we place a great emphasis on in the development phase, are designed, where necessary, to prevent the enclosures from any handling and to protect, for example, children and pets from falling into the water.

10 reasons why you should get an ALBIXON enclosure:

- › ensures greater safety for children and pets
- › makes swimming possible even in unfavourable conditions
- › increases the water temperature by an average of 10°C
- › extends the length of the swimming season
- › protects the pool from external influences
- › reduces maintenance costs for the pool
- › saves the costs of heating the pool
- › we can create an original and unique enclosure just right for you
- › we also offer standard variants representing a more cost-effective solution
- › stand out, exclusive design

Range of enclosure models

Low

For those of you, for whom it is especially important not to change the character of your garden with the construction of a new pool.

High

Create the ideal place for your active leisure or well-deserved relaxation in private. The walk-through height of the enclosure under all modules allows you to comfortably move around the entire pool, play water games, frolic, or relax on a sun lounger.

Casablanca Infinity



Klasik Pro
Klasik Pro Clear



Dallas
Dallas Clear



Klasik
Klasik Clear



Monaco Future



Casablanca High



We recommend !

For more comfort, select the option of extended rails. Using these the enclosure can be moved completely out the way of the pool





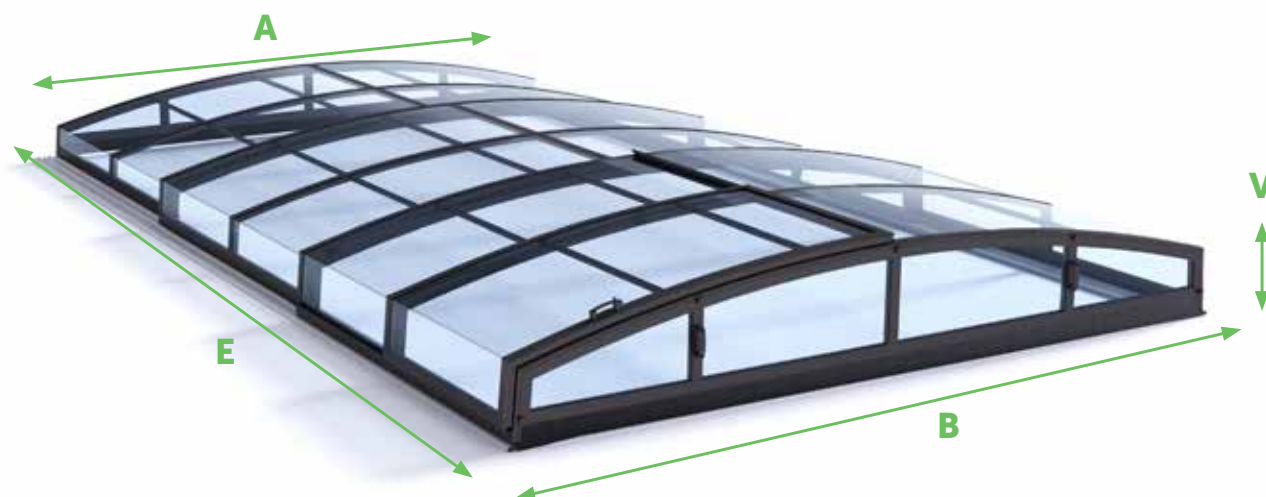


Casablanca Infinity

The unspoiled aesthetic appearance of your garden and pool with warm and clean water, regardless of the weather – these are the merits that a low enclosure provides.

Besides its understated and simple character, the CASABLANCA INFINITY also has an original futuristic design and perfect craftsmanship, not to mention the fact that in terms of protection of pools it represents a truly revolutionary technological innovation. Give your pool the best and let it naturally blend in with your garden.

Casablanca Infinity



Benefits

- › 2 standard variants, which represent a more cost-effective solution
- › Side entrance
- › Optional door in front and end panel
- › Optional clapper in front and end panel
- › Optional one side rail or trackless solution
- › Wide range of colours and décor, possibility to match the colour of your house

Series

Specifications	Casablanca Infinity A	Casablanca Infinity B
Maximum enclosed area	350 x 635 cm	446 x 850 cm
External width "B"	390 cm	500 cm
Internal width "A"	362 cm	458 cm
External length "E"	646 cm	860 cm
External height "V"	55 cm	70 cm
Package dimensions	445 x 48 x 127 cm	561 x 55 x 127 cm
Package weight	440 kg	650 kg
Color	Carbon	Carbon
Assembly time	ca 3 h/3 pers.	ca 4 h/3 pers.

Custom

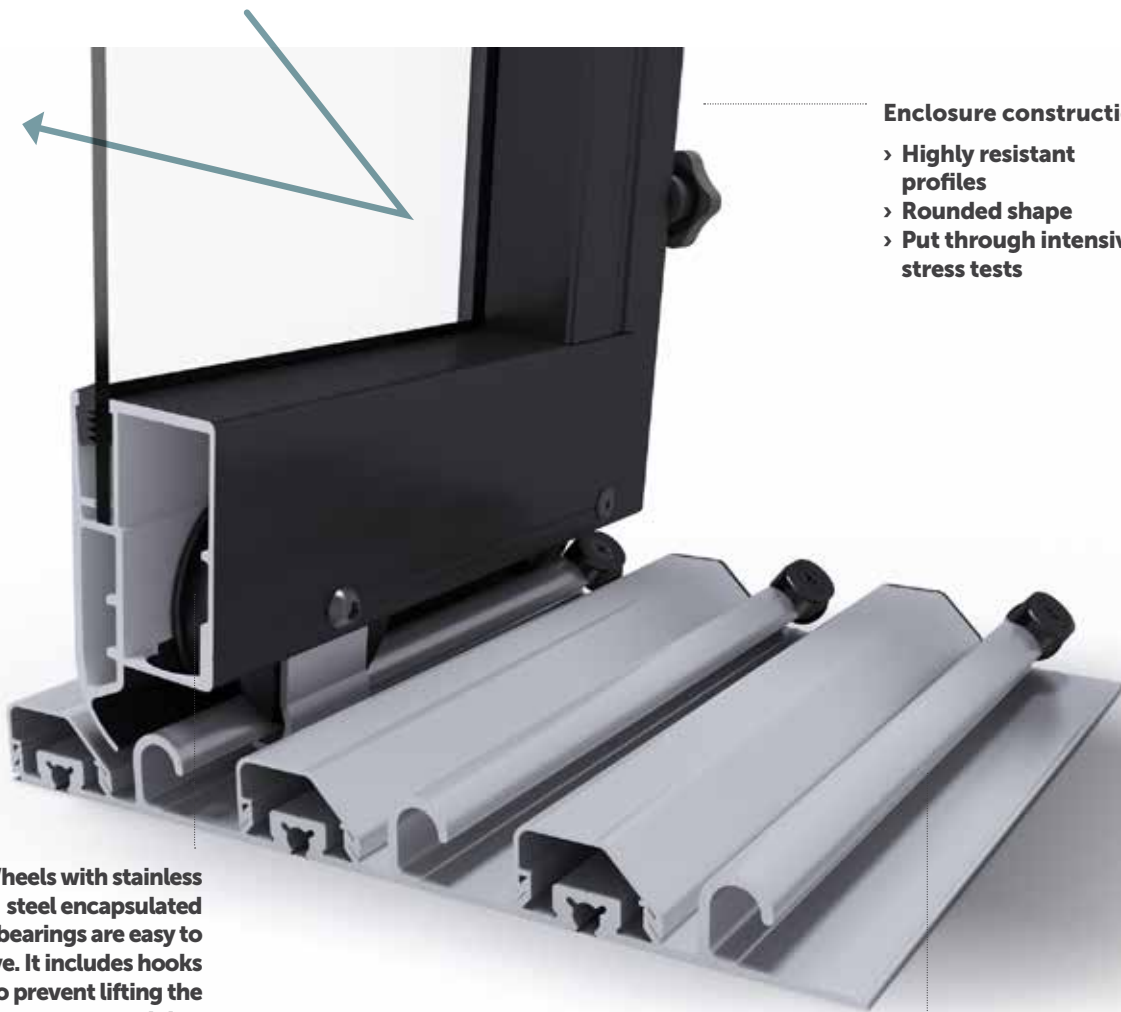
Possible enclosure dimensions	Casablanca Infinity
Width "B"	from 200 to 850 cm
Height "V"	from 36 to 350 cm
Length "E"	unlimited



Compact 4 mm polycarbonate with UV stabilisation, which protects the pool perfectly.

Did you know that...

...an enclosure saves the cost for heating a pool?



Enclosure construction

- > **Highly resistant profiles**
- > **Rounded shape**
- > **Put through intensive stress tests**

Wheels with stainless steel encapsulated bearings are easy to move. It includes hooks to prevent lifting the modules.

Air rails are easy to embed into the ground, are fully walk-through and the anchoring elements are hidden.



Benefits of the one side rail design

- > less time-consuming to install
- > second rail does not disturb the appearance of the paving around the pool
- > elegant design
- > easy enclosure handling



limited edition

goods ready for shipment

quick and easy assembly





Casablanca

Casablanca is a symbol of true luxury. Turn your pool into a breath-taking indoor space for unforgettable moments with family and friends, create an ideal place for active leisure and well-deserved relaxation in private. The walk-through height of the enclosure under all the modules will allow you to comfortably move around the entire pool, play water games, fool around or relax on a sun lounger. In order for the overall impression of the pool to be exactly to your liking, you can choose from a wide range of colours and roofing material.

Casablanca



Benefits

- › Optional side entrance
- › Optional door in front and end panel
- › Optional clapper in front and end panel

Custom

Possible enclosure dimensions	Casablanca
Width "B"	from 200 to 850 cm
Height "V"	from 36 to 350 cm
Length "E"	unlimited

Custom without rails

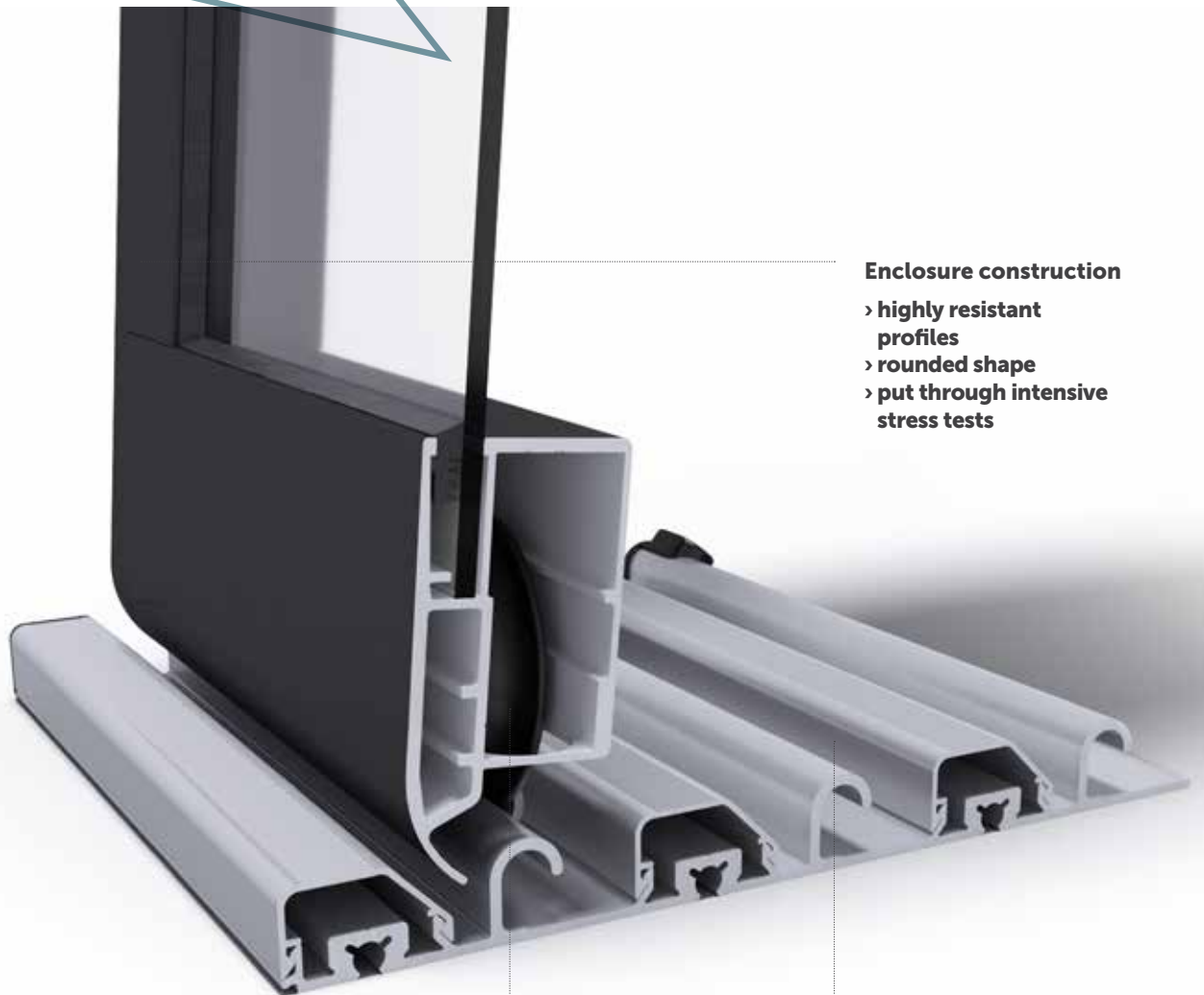
Possible enclosure dimensions	Casablanca without rails
Width "B"	from 200 to 500 cm
Height "V"	from 33 to 84 cm
Length "E"	unlimited



Twin wall or compact polycarbonate with UV stabilisation protects the pool perfectly.

Did you know that...

...enclosures protect your pool from dirt?



Enclosure construction

- › highly resistant profiles
- › rounded shape
- › put through intensive stress tests

Wheels with stainless steel encapsulated bearings are easy to move. It includes hooks to prevent lifting the modules.

Air rails are easy to embed into the ground, are fully walk-through and the anchoring elements are hidden.

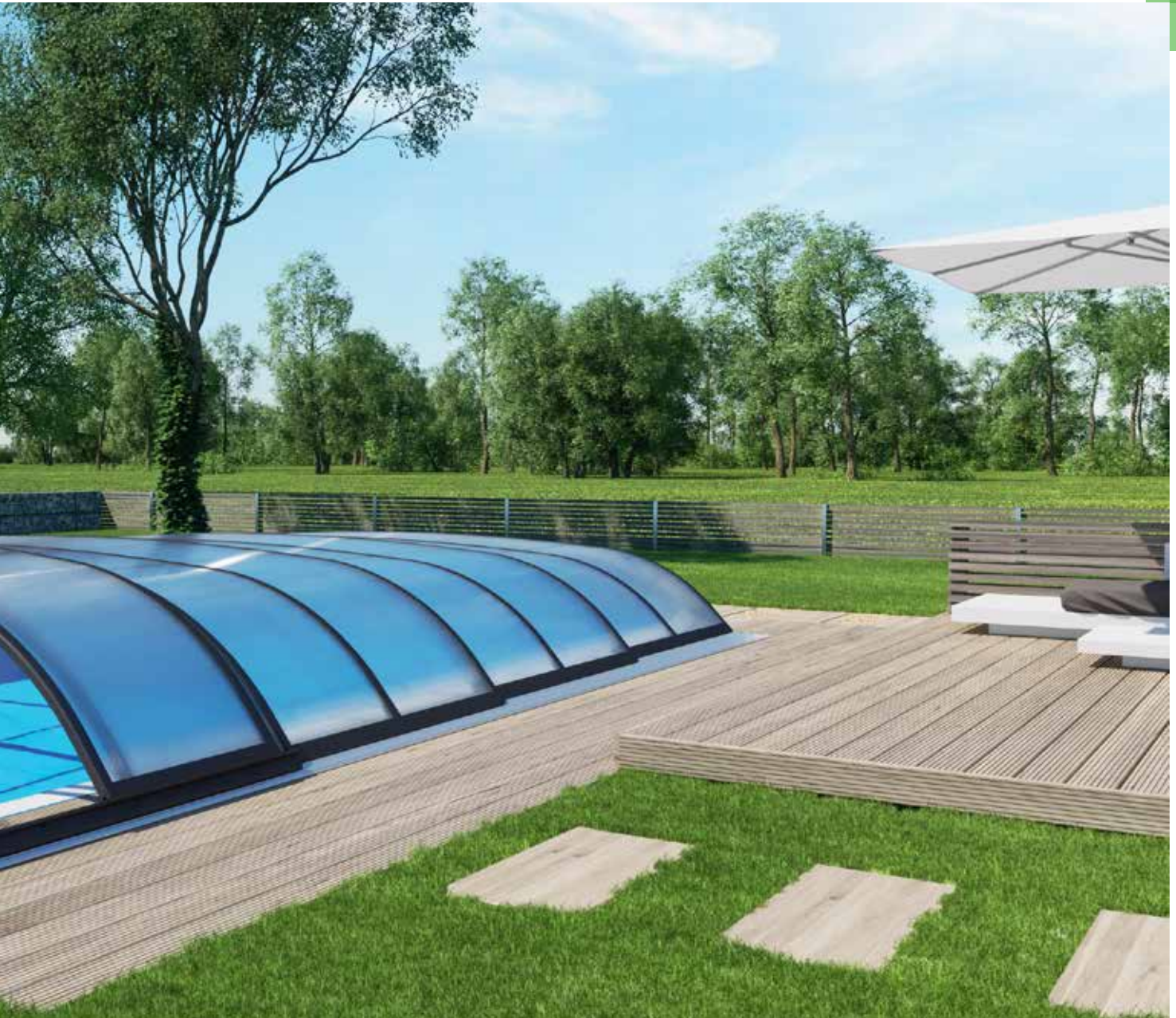


limited edition

goods ready for shipment

quick and easy assembly

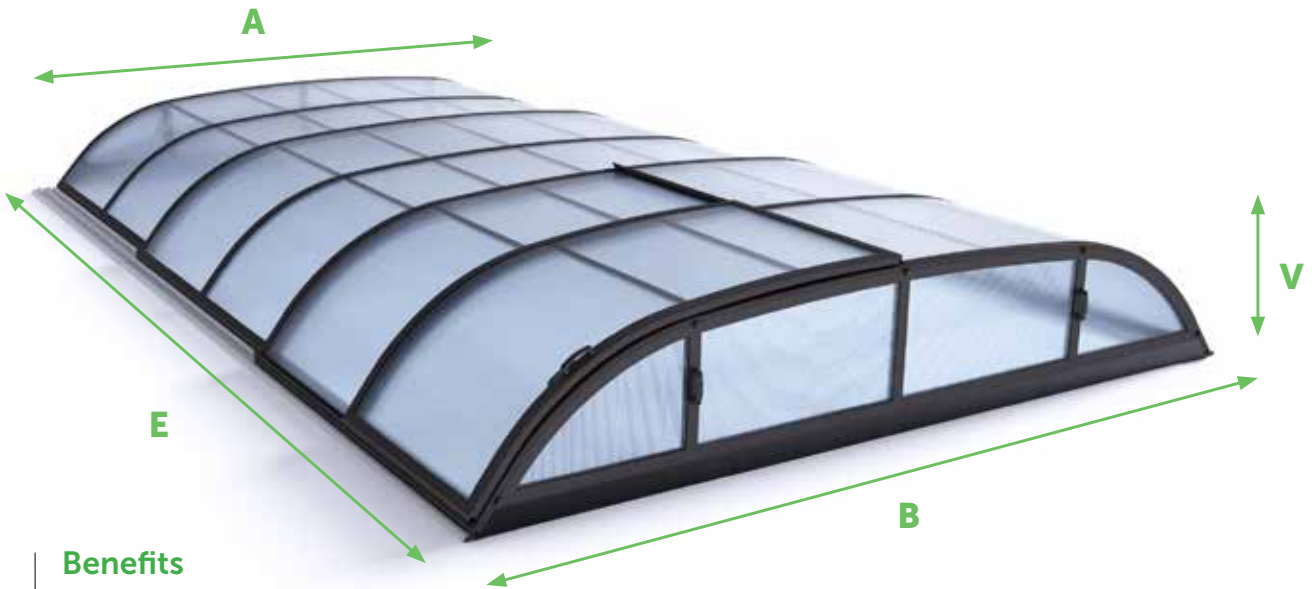




Dallas

Combining refined elegant arches with sober planes gives the Dallas enclosure the hallmark of a top model, which should delight everyone. Its significantly rounded edges merging with the flat central portion together form an impressive inner space, while maintaining the minimum external dimensions. Simply put, the sophisticated Dallas will suit your garden.

Dallas



Benefits

- › 2 standard variants, which represent a more cost-effective solution
- › Sufficient interior space while maintaining the minimum external dimensions
- › 8 mm twin walled polycarbonate
- › Optional side entrance, optional door in front and end panel, optional clapper in front and end panel

Series production

Specifications	Dallas A	Dallas B
Maximum enclosed area	350 x 635 cm	464 x 850 cm
External width "B"	407 cm	520 cm
Internal width "A"	379 cm	478 cm
External length "E"	646 cm	860 cm
External height "V"	75 cm	85 cm
Package dimensions	445 x 48 x 127 cm	561 x 55 x 127 cm
Package weight	310 kg	480 kg
Color	Silver Elox, DB703	Silver Elox, DB703
Assembly time	ca 3 h/3 pers.	ca 4 h/3 pers.

Custom production

Possible enclosure dimensions	Dallas
External width "B"	from 300 to 600 cm
External height "V"	from 61 to 121 cm
External length "E"	unlimited

Did you know that...

...enclosures increase the water temperature by an average of 10 °C?



Twin wall or compact polycarbonate with UV stabilisation protects the pool perfectly.



Enclosure construction

- › highly resistant profiles
- › rounded shape
- › put through intensive stress tests

Wheels with stainless steel encapsulated bearings are easy to move. It includes hooks to prevent lifting the modules.

Air rails are easy to embed into the ground, are fully walk-through and the anchoring elements are hidden.



limited edition

goods ready for shipment

quick and easy assembly

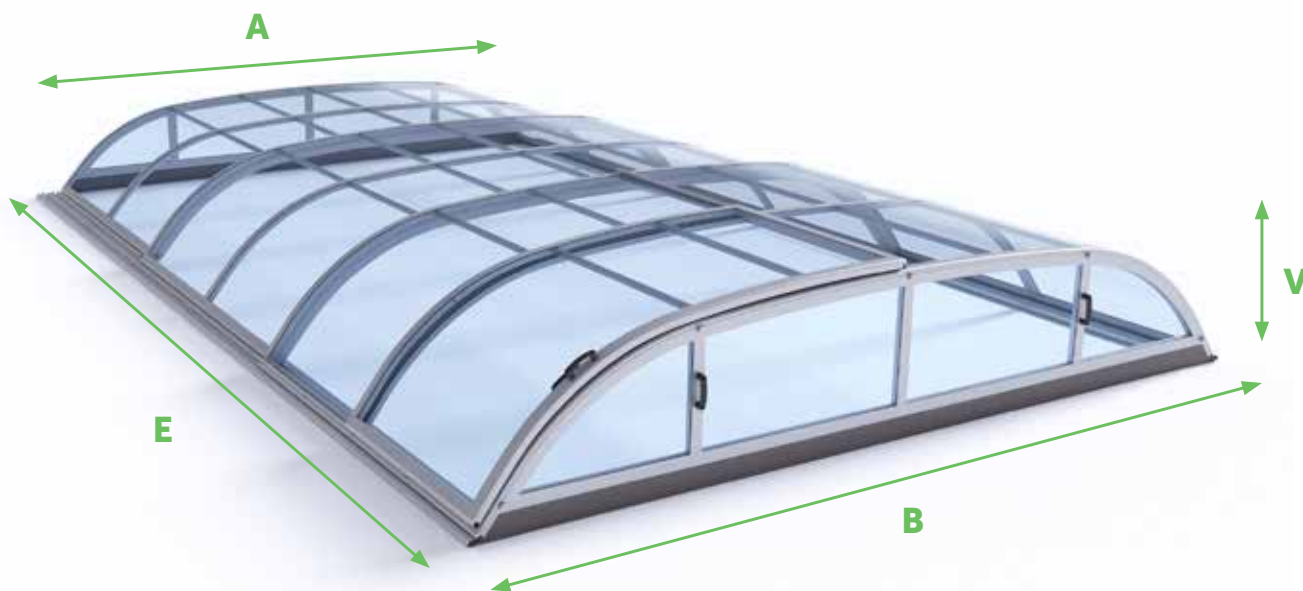




Dallas Clear

Combining refined elegant arches with sober planes gives the Dallas enclosure the hallmark of a top model, which should delight everyone. Its significantly rounded edges merging with the flat central portion together form an impressive inner space, while maintaining the minimum external dimensions. Simply put, the sophisticated Dallas will suit your garden.

Dallas Clear



Benefits

- › 2 standard variants, which represent a more cost-effective solution
- › Spectacular interior space while maintaining the minimum external dimensions
- › Clear polycarbonate
- › Optional side entrance, optional door in front and end panel, optional clapper in front and end panel

Series production

Specifications	Dallas Clear A	Dallas Clear B
Maximum enclosed area	350 x 635 cm	464 x 850 cm
External width "B"	407 cm	520 cm
Internal width "A"	379 cm	478 cm
External length "E"	646 cm	860 cm
External height "V"	75 cm	85 cm
Package dimensions	445 x 48 x 127 cm	561 x 55 x 127 cm
Package weight	420 kg	650 kg
Color	Silver Elox, DB703	Silver Elox, DB703
Assembly time	ca 4 h/3 pers.	ca 6 h/3 pers.

Did you know that...

...enclosures allow you to swim even in bad weather?



Compact 4 mm polycarbonate with UV stabilisation protects the pool perfectly.



Enclosure construction

- › highly resistant profiles
- › rounded shape
- › put through intensive stress tests

Wheels with stainless steel encapsulated bearings are easy to move. It includes hooks to prevent lifting the modules.

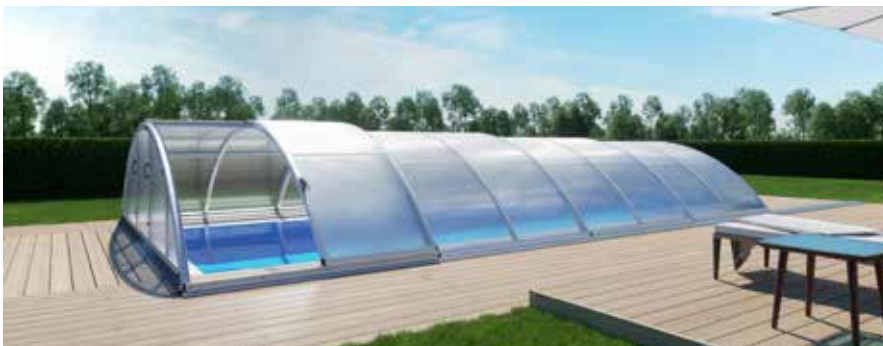
Air rails are easy to embed into the ground, are fully walk-through and the anchoring elements are hidden.



limited edition

goods ready for shipment

quick and easy assembly





Klasik

The typical round shape and affordability of this model makes it one of the most popular types of enclosure throughout Europe. It is a classic model, but there is nothing dull about it. Thanks to its tasteful minimalist design and high-quality construction, the Klasik gives each pool a sophisticated look. What's more, its arched design inspired by the shape of a semi-circle, gives it unprecedented structural resistance to the effects of weather and snow. A simply classical product from the ALBIXON workshop.

Klasik



Benefits

- › 3 standard variants that represent a more cost-effective solution
- › Of all our models, this is the most structurally resistant to the effects of weather and snow
- › 8 mm twin walled polycarbonate
- › Optional side entrance, optional door in front and end panel, optional clapper in front and end panel

Series production

Specifications	Klasik A	Klasik B	Klasik C
Maximum enclosed area	319 x 635 cm	415 x 850 cm	501 x 1060 cm
External width "B"	361 cm	471 cm	571 cm
Internal width "A"	333 cm	429 cm	515 cm
External length "E"	646 cm	860 cm	1073 cm
External height "V"	100 cm	130 cm	155 cm
Package dimensions	430 x 41 x 157 cm	563 x 45 x 188 cm	606 x 61 x 175 cm
Package weight	290 kg	470 kg	680 kg
Color	Silver Elox, DB703	Silver Elox, DB703	Silver Elox, DB703
Assembly time	ca 1 h/3 pers.	ca 2 h/3 pers.	ca 3 h/3 pers.

Custom production

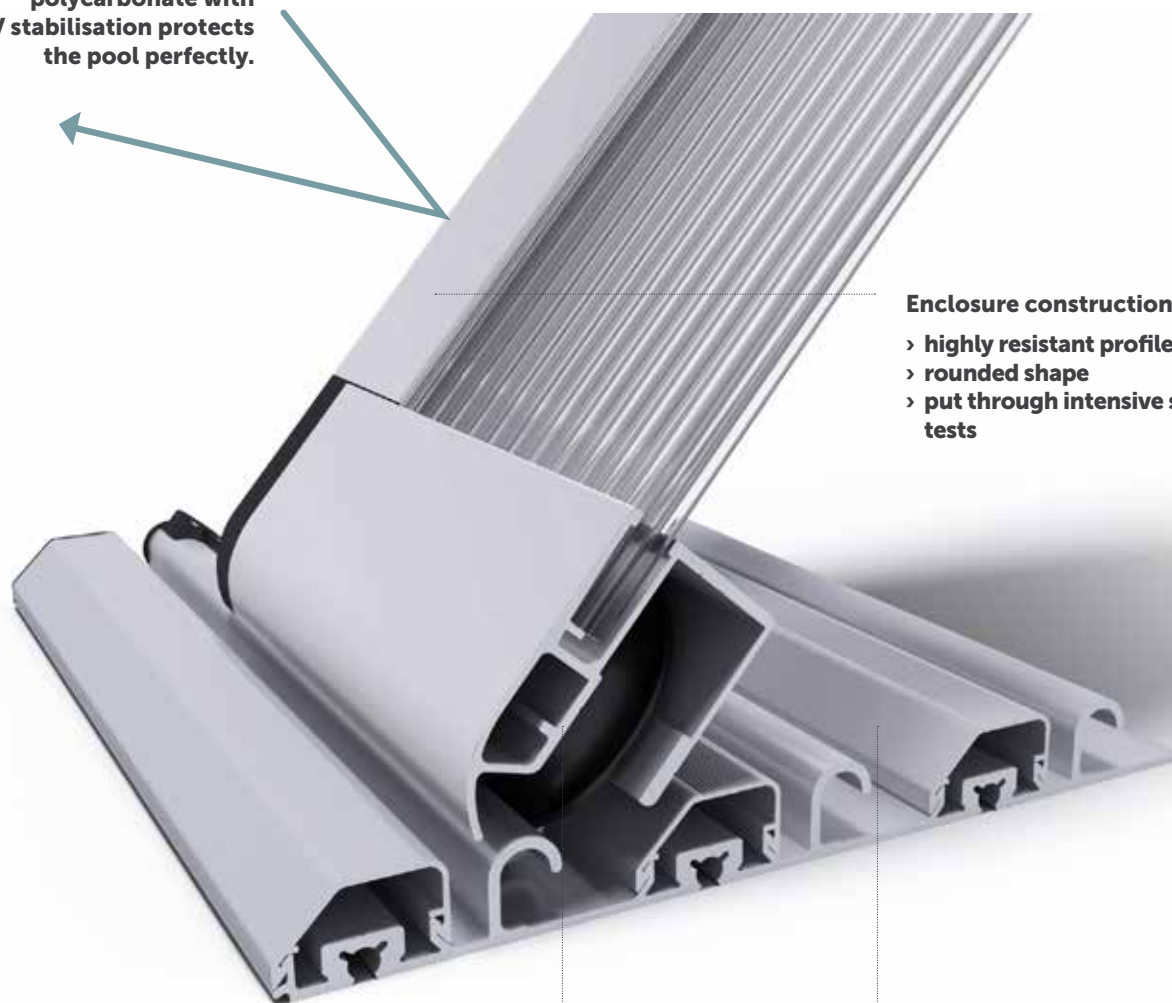
Possible enclosure dimensions	Klasik
External width "B"	from 250 to 650 cm
External height "V"	from 70 to 175 cm
External length "E"	unlimited

Did you know that...

...enclosures reduce pool maintenance costs?



Twin wall or compact polycarbonate with UV stabilisation protects the pool perfectly.



Enclosure construction

- › highly resistant profiles
- › rounded shape
- › put through intensive stress tests

Wheels with stainless steel encapsulated bearings are easy to move. It includes hooks to prevent lifting the modules.

Air rails are easy to embed into the ground, are fully walk-through and the anchoring elements are hidden.



limited edition

goods ready for shipment

quick and easy assembly





Klasik Clear

The typical curved shape and affordability of this model rightly makes it one of the most well-known and most popular types of enclosure throughout Europe. This is a classical model, but definitely not a dull one. Thanks to its tasteful minimalist design and high-quality finish, it will give every pool a noble appearance. Its arched design inspired by the shape of a semicircle also gives it unprecedented static resistance to the effects of the weather and snow.

A simply classical product from the ALBIXON workshop.

Klasik Clear



Benefits

- › 3 standard variants that represent a more cost-effective solution
- › Of all our models, this is the most structurally resistant to weathering and snow
- › 4 mm clear polycarbonate
- › Optional side entrance, optional door in front and end panel, optional clapper in front and end panel

Series production

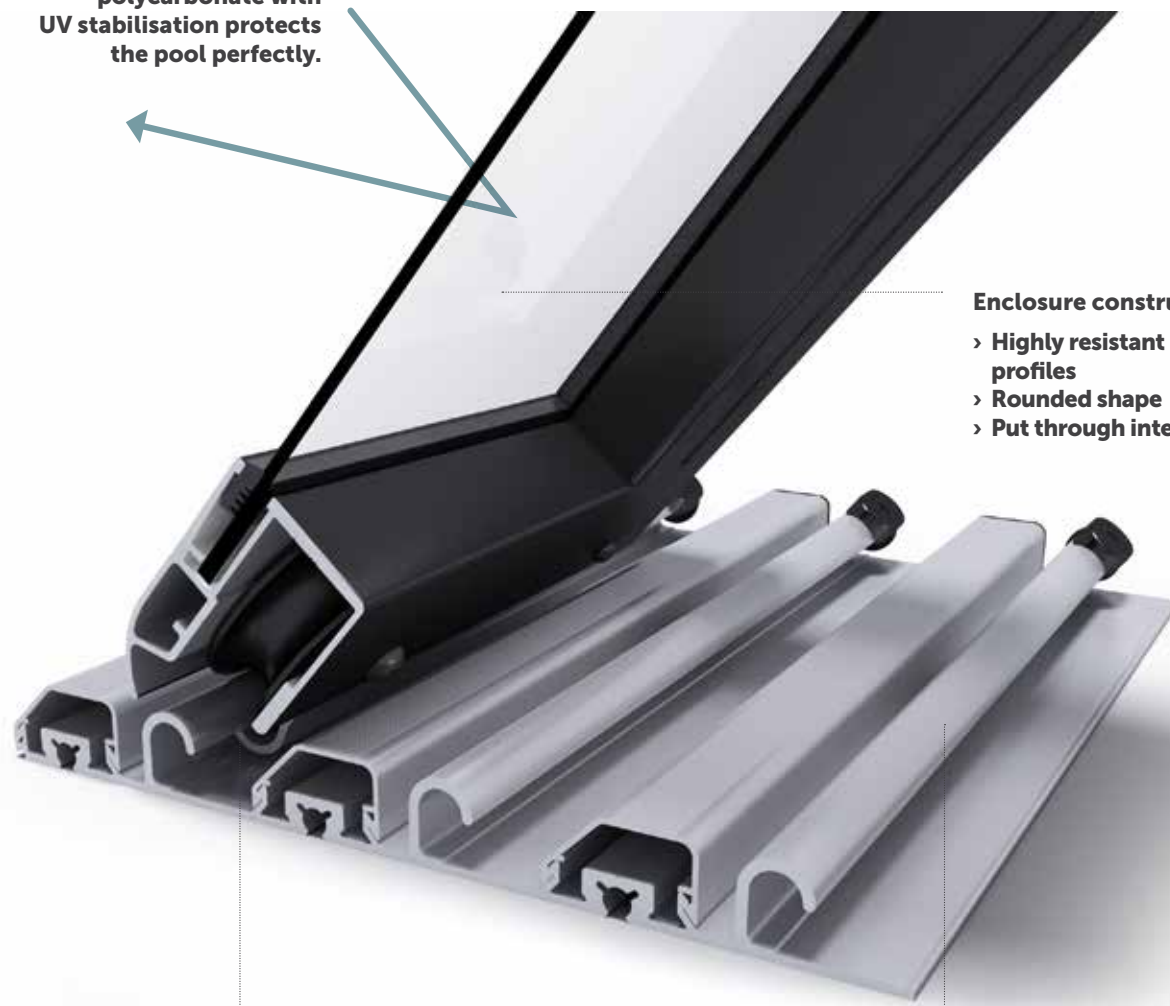
Specifications	Klasik Clear A	Klasik Clear B	Klasik Clear C
Maximum enclosed area	319 x 635 cm	415 x 850 cm	501 x 1060 cm
External width "B"	361 cm	471 cm	571 cm
Internal width "A"	333 cm	429 cm	515 cm
External length "E"	646 cm	860 cm	1073 cm
External height "V"	100 cm	130 cm	155 cm
Package dimensions	430 x 41 x 157 cm	563 x 45 x 188 cm	606 x 61 x 175 cm
Package weight	380 kg	600 kg	860 kg
Color	Silver Elox, DB703	Silver Elox, DB703	Silver Elox, DB703
Assembly time	ca 2 h/3 pers.	ca 4 h/3 pers.	ca 6 h/3 pers.

Did you know that...

...different standard variants represent a cost-effective solution?



Compact 4 mm polycarbonate with UV stabilisation protects the pool perfectly.



Enclosure construction

- › Highly resistant profiles
- › Rounded shape
- › Put through intensive

Wheels with stainless steel encapsulated bearings are easy to move. It includes hooks to prevent lifting the modules.

Air rails are easy to embed into the ground, are fully walk-through and the anchoring elements are hidden.



limited edition

goods ready for shipment

quick and easy assembly





Klasik Pro

We would like to introduce you to the new model of the ALBIXON BOX series, the Klasik Pro enclosure. Don't be fooled, this really is a Klasik enclosure. A large roof area, minimum height, maximum resistance to snow load, easy and fast assembly – these are the main virtues of the Klasik Pro enclosure. After 3 years of testing in Nordic conditions, we bring you the new resilient Klasik Pro swimming pool enclosure. Its main advantage is primarily a low profile and elegant lines.

Klasik PRO



Benefits

- > Anthracite DB703 surface finish of aluminium profiles
- > Twin wall or clear polycarbonate roofing material
- > Optional location of side entrance

Series production

Specifications	Klasik Pro B	Klasik Pro B Clear
Maximum enclosed area	415 x 850 cm	415 x 850 cm
External width "B"	471 cm	471 cm
Internal width "A"	429 cm	429 cm
External length "E"	860 cm	860 cm
External height "V"	100 cm	100 cm
Package dimensions	561 x 55 x 127 cm	561 x 55 x 127 cm
Package weight	470 kg	610 kg
Color	DB703	DB703
Assembly time	ca 2 h/3 pers	ca 4 h/3 pers



Twin wall or compact polycarbonate with UV stabilisation protects the pool perfectly.

Did you know that...

...enclosures protect your children and pets from falling into the pool?



Enclosure construction

- › Highly resistant profiles
- › Rounded shape
- › Put through intensive stress tests

Wheels with stainless steel encapsulated bearings are easy to move. It includes hooks to prevent lifting the modules.

Air rails are easy to embed into the ground, are fully walk-through and the anchoring elements are hidden.



limited edition

goods ready for shipment

quick and easy assembly





Monaco Future

The walk-through Monaco Future will become the unrivalled centrepiece of every garden. Even the possible activities will be unusual, especially because of its remarkable walk-through height. Have fun with friends by the pool, frolic with the kids in the water, work on your condition by swimming or relax quietly, regardless of the weather.

With a Monaco Future enclosure, you can do anything you want.

Monaco Future



Benefits

- › Walk-through height
- › Optional side entrance
- › Optional door in front and end panel
- › Optional clapper in front and end panel

Custom production

Possible enclosure dimensions	Monaco Future
External width "B"	from 400 to 600 cm
External height "V"	from 215 to 250 cm
External length "E"	unlimited

Did you know that...

...enclosures prolong swimming season?



Twin wall or compact polycarbonate with UV stabilisation protects the pool perfectly.

Enclosure construction

- > Highly resistant profiles
- > Rounded shape
- > Put through intensive stress tests



Wheels with stainless steel encapsulated bearings are easy to move. It includes hooks to prevent lifting of the modules.

Air rails are easy to embed into the ground, are fully walk-through and the anchoring elements are hidden.



limited edition

goods ready for shipment

quick and easy assembly

Enclosure details



Enclosure front panels

Each enclosure has a front panel, which is produced according to its size as one or more parts. Whether it's in the front or rear, both can be mounted with screws either firmly or using panel screws to make a detachable element. We approach the second alternative after consultation with the pool owner, especially when the roofing cannot be completely moved away from the pool area and therefore they are usually swimming under it.



Elevated lower panel edge

The easy and smooth movement of the enclosure is an important element if you want to enjoy the pool to the max. For this purpose, the elevated lower edges of the panels we offer are covered with a durable tarpaulin up to a height of 15 cm. Moving over common obstacles, such as a heightened pool edge, is easy to handle, however, with the higher ones, we would recommend using a clapper or door in the panel.



Clapper

In pool terminology you will come across the expression 'clapper'. This is the lower part of the front panel and is slanted upwards for easy movement of the enclosure over obstacles, such as steps or a spring-board. Hinged doors are suitable for front panels with a clapper - unlike sliding doors which cannot be combined with this feature.



Door in the front panel

In our offer you can find two basic types of lockable front panel doors in a standard width of 80 cm. Hinged doors are suitable for lower enclosures, while sliding doors have a higher durability and so are suitable for higher enclosure models. Hinged doors can even be positioned off-centre, but it is then necessary for the hinges to be placed on the side of the door closer to the axis.



Side entrance

A lockable side entrance is a popular and desirable feature because of its practicality. It can be placed in any part of the largest enclosure module.



Stoppers

Stoppers act as a lock that prevents arbitrary movement of the enclosure and prevents any damage. For fixing in the open / closed position we equip each model with a standard two stoppers. The stoppers are normally installed from the outside and so are lockable for easy access. The exception is the location in the case of the smallest module, where they are fitted on the inside and in the case of evacuating the pool are non-lockable.

Supporting profiles

Profiles M

These are profiles for small and medium enclosures. Elegantly rounded and firm inside and out.

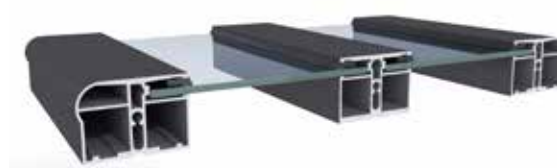
Cross-section 40 x 55 mm.



Profiles L

These are suitable for medium size enclosures. They have the same appearance as M profiles, but are structurally reinforced.

Cross-section 40 x 55 mm.



Profiles L+

Profiles used for bigger enclosures. The middle profile is wider compare to the L version.

Cross-section 40 x 55 mm and 40 x 72 mm.



Profiles XL

This series of profiles is for the biggest enclosures, with an emphasis on uncompromising durability.

Cross-section 73 x 55 mm.



Rails

AIR rails

Suitable for enclosures with M, L, L+ profiles. This represents a unique solution with anchoring screws. We offer options for enclosures with low and high impact angles.

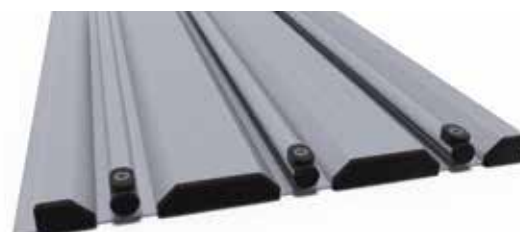
Height 20 mm, spacing 75 mm.



AIR rails 110 mm

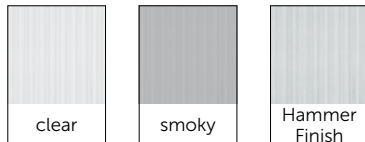
Designed for enclosures with an XL profile. Their advantage is a higher tolerance to the unevenness of the garden sub-base.

Height 25 mm, spacing 110 mm.

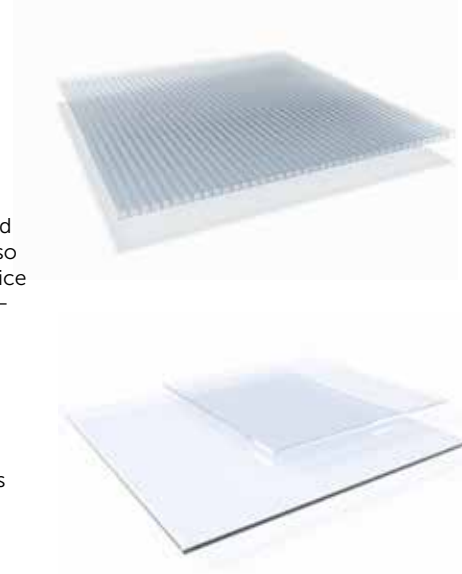


Roofing material

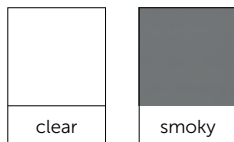
Twin wall polycarbonate



We use 8 mm twin wall polycarbonate (M, L, L+ profiles) and 10 mm thick (XL profiles). This roofing material is characterized by extreme resistance and high insulating capacity. Of course it also provides UV protection. We offer a choice of 2 colours. And introducing the new – Hammer finish look!



Compact polycarbonate



As a standard we use compact 4 mm polycarbonate. This roofing material is characterised by its elegant look and excellent transparency. UV protection is a matter of course.

Profile colours



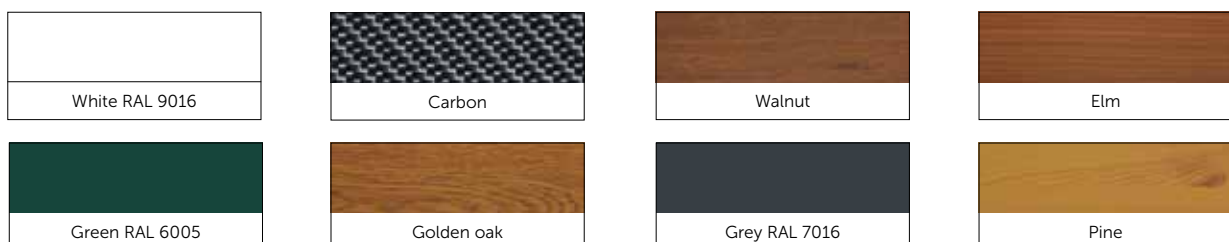
We offer standard shades and custom colours and decors to make the appearance of the enclosure fit in with the colour of your house or window frames.

The colours for standard enclosures are fixed. The colours for custom enclosures come with the following range of colours:

Category 1



Category 2



Category 3

All other colours as per the valid Albixon colour chart.