

SCRS



Applications

The SPERONI SCRS circulators for sanitary warm water are conceived for the water circulation inside the distributing system.

The technical adopted solutions allow the solving of specific plant problems without changing the water quality.

Limits of application

- Pressure rating 5,5 bar
- Working max pressure NP 10bar
- Delivery 3,5m³/h
- Temperature liquid up to 110j C
- Recommended temperature 65j C
- Continuous service

Motor

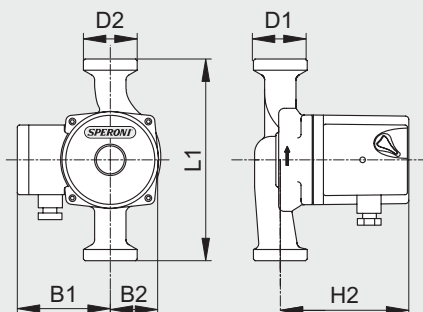
- Electric motor
- Isolation class F
- Protection IP 44

Components

- Pumps body in bronze
- Synthetic Impeller (polymer)
- Shaft in ceramics
- Ball bearing in ceramics
- Trust bearing
- Rotor with Stainless steel housing
- Winding copper wire
- Gasket in EPDM

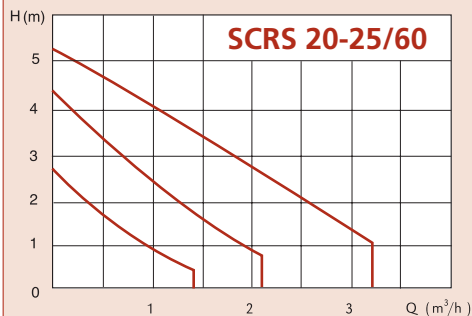
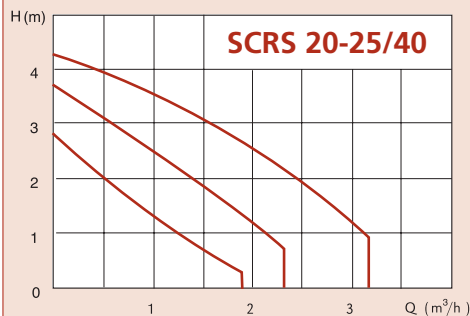
DIMENSIONS AND WEIGHTS

TYPE	DN	D1	D2	L1	B1	B2	H2	Kg
SCRS 20/40-110	20	3/4	1 1/4	110	84	43	117	2,3
SCRS 20/60-110	20	3/4	1 1/4	110	84	43	117	2,3
SCRS 25/40-110	25	1	1 1/2	110	84	43	117	2,3
SCRS 25/60-110	25	1	1 1/2	110	84	43	117	2,3
SCRS 20/40-130	20	3/4	1 1/4	130	84	43	117	2,4
SCRS 20/60-130	20	3/4	1 1/4	130	84	43	117	2,4
SCRS 25/40-130	25	1	1 1/2	130	84	43	117	2,4
SCRS 25/60-130	25	1	1 1/2	130	84	43	117	2,4



SCRS

SPERONI



Type	DN	Pos.	(min-1)	P1 (W)	1x230 V (A)
SCRS 20/40-110	20	1	1315	39	0,17
		2	1723	60	0,26
		3	2456	69	0,30
SCRS 20/60-110	20	1	1080	39	0,17
		2	1396	62	0,27
		3	1980	80	0,35
SCRS 25/40-110	25	1	1315	39	0,17
		2	1723	60	0,26
		3	2456	69	0,30
SCRS 25/60-110	25	1	1080	39	0,17
		2	1396	62	0,27
		3	1980	80	0,35
SCRS 20/40-130	20	1	1315	39	0,17
		2	1723	60	0,26
		3	2456	69	0,30
SCRS 20/60-130	20	1	1080	39	0,17
		2	1396	62	0,27
		3	1980	80	0,35
SCRS 25/40-130	25	1	1315	39	0,17
		2	1723	60	0,26
		3	2456	69	0,30
SCRS 25/60-130	25	1	1080	39	0,17
		2	1396	62	0,27
		3	1980	80	0,35

ACCESSORIES



Set raccordi circolatore bronzo SCRS 15 1/2 x 1

Set raccordi circolatore bronzo SCRS 20 3/4 x 1 1/4

Set raccordi circolatore bronzo SCRS 25 1 x 1 1/2