

THREE SPEEDS SINGLE PHASE CIRCULATING TWIN PUMP

SPERONI

SCR FED

Applications

The SPERONI SCRFD circulators for clean liquids, without abrasives, which are non-aggressive for the pump materials (contents of solids up to 0.2%). For heating, conditioning, cooling and circulation plants. For civil and industrial applications. When low noise operation is required.

Limits of application

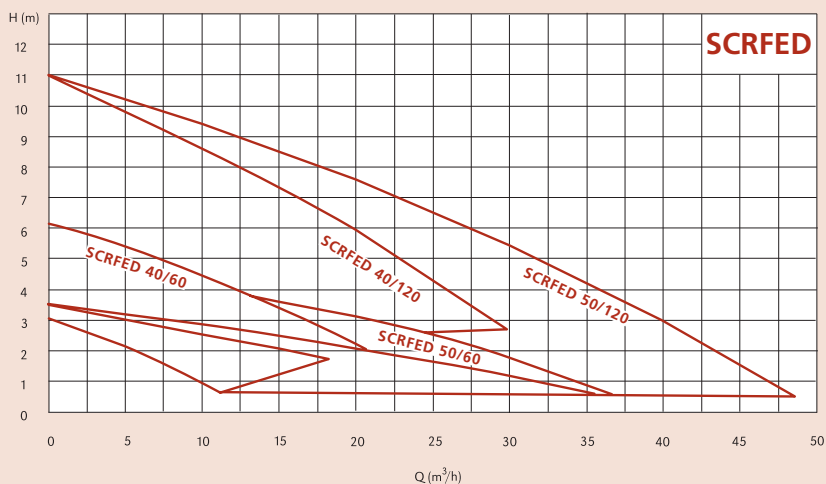
- Liquid temperature from -10 °C to +120 °C (in short-time duty up to + 140 °C).
- Ambient temperature up to 40 °C.
- Maximum glycol quantity: 50% (Mixture with more than 20% glycol content require rechecking of the pumping data).
- Maximum permissible working pressure 6/10 bar.

Motor

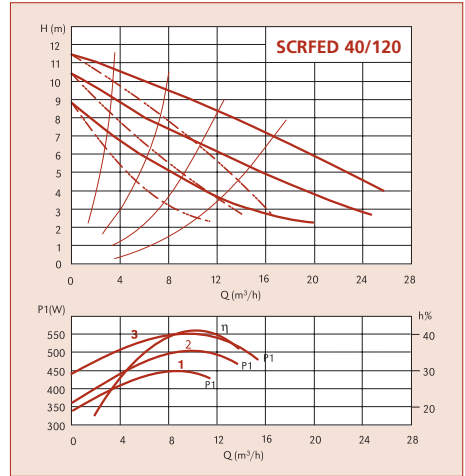
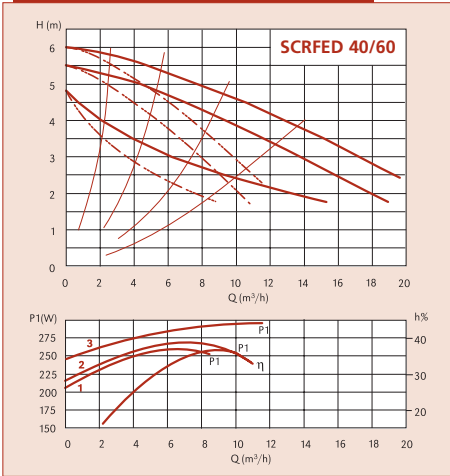
- 2/4 pole induction motor, 50 Hz.
- Three adjustable speeds.
- SCR FED: single-phase 230V.
- Insulation class F.
- Protection IP 43.

Components

- Pump casing Cast iron
- Impeller Stainless steel
- Shaft Stainless steel

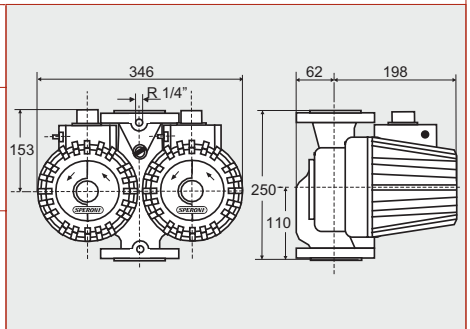


SCRFED 40

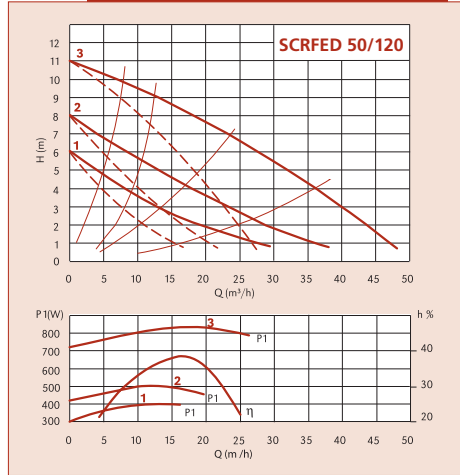
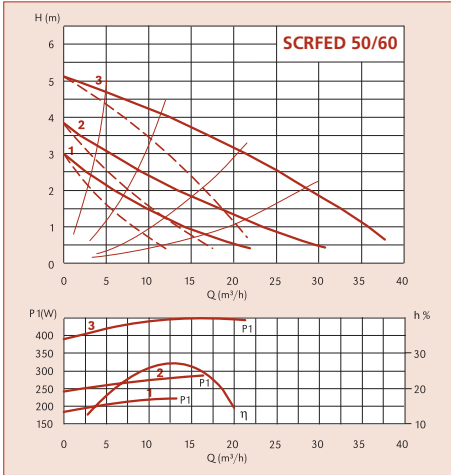


DIMENSIONS AND WEIGHTS

TYPE	DN	N _i Pole		Pos.	1/min	P1 (W)	3x 400 V [A]	[kg]
		2	4					
SCRFED 40-60/250	40	✓		3	2690	285	1,20	35,0
				2	2360	245	1,18	
				1	1820	225	1,15	
SCRFED 40-120/250	40	✓		3	2755	550	2,35	35,0
				2	2100	475	2,30	
				1	1270	355	1,85	



SCRFED 50



DIMENSIONS AND WEIGHTS

TYPE	DN	N _i Pole		Pos.	1/min	P1 (W)	3x 400 V [A]	[kg]
		2	4					
SCRFED 50-60/280	50	✓		3	1260	415	1,8	44,0
				2	1030	300	1,3	
				1	740	230	1,0	
SCRFED 50-120/280	50	✓		3	2720	830	3,6	44,0
				2	1870	480	2,1	
				1	1450	390	1,7	

