

# SCRE



### Applications

The threaded Speroni circulators assure the best technical and economic performances and they are able to solve all specific problems in every plants, thanks to their technological construction innovations.

The electronic circulators allow the automatic regulation of the pump, according to the applications of the plant; this is allow a considerable save of energy, the elimination of the noisiness thanks to thermostatic valves and accessories and in the improvement of the plant control.

Single phase circulators are perfect for single or collective plants of residences, sporting building, hospitals, greenhouses, etc

Particularly suitable for heating and conditioning plants, for water circulation in heating system and sanitary warm water system, with water hardness less than 30jF.

### Limits of application

- Pressure rating 5,5 bar
- Working max pressure NP 10bar
- Delivery 3,5m/h
- Temperature liquid up to 110; C
- Recommended temperature 65; C
- Continuous service

### Motor

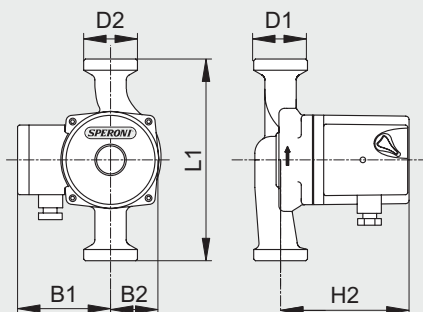
- Electric motor
- Isolation class F
- Protection IP 44

### Components

- Pumps body in cast iron GG25
- Synthetic Impeller (polymer)
- Shaft in ceramics
- Ball bearing in ceramics
- Trust bearing
- Rotor with Stainless steel housing
- Winding copper wire
- Gasket in EPDM

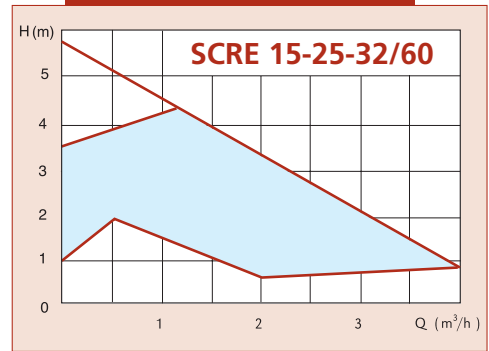
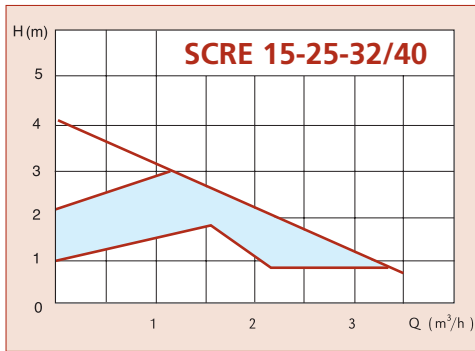
## DIMENSIONS AND WEIGHTS

TYPE	DN	D1	D2	L1	B1	B2	H2	Kg
SCRE 15/40-130	15	1/2	1	130	89	43	117	2,3
SCRE 15/60-130	15	1/2	1	130	89	43	117	2,3
SCRE 25/40-130	25	1	1 1/2	130	89	43	117	2,3
SCRE 25/60-130	25	1	1 1/2	130	89	43	117	2,3
SCRE 25/40-180	25	1	1 1/2	180	89	43	117	2,5
SCRE 25/60-180	25	1	1 1/2	180	89	43	117	2,5
SCRE 32/40-180	32	1 1/4	2	180	89	43	117	2,5
SCRE 32/60-180	32	1 1/4	2	180	89	43	117	2,5



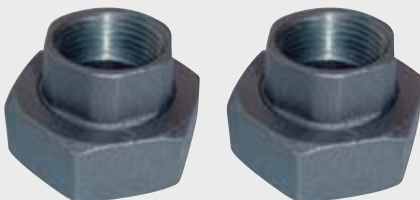
# SCRE

**SPERONI**



Type	DN	POWER P1 min	CURRENT (A) min	POWER P1 max	CURRENT (A) max
SCRE 15/40-130	15	31	0,12	68	0,33
SCRE 15/60-130	15	37	0,16	86	0,37
SCRE 25/40-130	25	31	0,12	68	0,33
SCRE 25/60-130	25	37	0,16	86	0,37
SCRE 25/40-180	25	31	0,12	68	0,33
SCRE 25/60-180	25	37	0,16	86	0,37
SCRE 32/40-180	32	31	0,12	68	0,33
SCRE 32/60-180	32	37	0,16	86	0,37

## ACCESSORIES



Set connections circulators 1/2 SCR 15

Set connections circulators 1 SCR 25

Set connections circulators 1 1/4 SCR 32