

The best system for increasing pressure in the house

Systematical water usage.



ROTEX variocistern -
750 - 25.000 l

To protect resources

The utilization of water is becoming more and more important and attractive. The high per-capita consumption of drinking water, the dwindling resources, the increasing infra-structural development of agricultural land and support for rainwater and the support of rainwater reservoirs by local governments have demand of water.

In practice, water can be used, among other things for garden watering, the toilet flushing, the washing machines or things like that.

Collecting water

The main part of the water storage system is a suitable water storage tank. ROTEX variocistern has been developed as a special water

storage system which corresponds completely with the requirements of such a system.

The ROTEX variocistern is a flexible system of tanks which can be used to store water in buildings. The individual tanks themselves are made of high-density polyethylene by the blow-moulding process and are therefore absolutely non-corroding.

ROTEX variocistern single tanks are available with capacities of

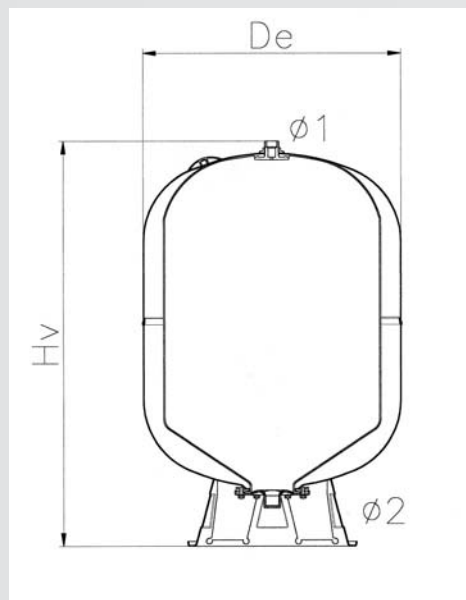
750 and 1000 litres.

ROTEX variocistern: Systematical

- **Very easy installation, even in existing buildings**
- **Non-corroding**
- **Light weight**
- **Flexible use of space by free choice of tank combinations**
- **Tank height selected according to the room height**
- **Simple connections for water supply and withdrawal pipes**
- **Easy expandable**
- **Simple assembly**
- **Impervious to light**
- **Easy to clean**

The water storage tank, which fits through doors

Thanks to the compact square base and the light weight, the transport of the single tanks into a building is very easy. Narrow staircases and doors or confined storage spaces are no problem for the ROTEX variocistern.



Model	Litara	Pritisak			De mm	Hv mm	Ho mm	L mm	o 1	o 2	Izvedba	
		Max. bar	Predtlak bar								Vertikalna mm	Horizontalna mm
AF 35	35	10	-	1.5	400	-	-	400	-	3/4" - 1"	410x410x410	-
AF 50	50	10	-	1.5	400	600	425	515	-	1"	410x410x610	410x530x440
AF 60	60	10	-	1.5	400	750	480	675	1/2"F - 3/4" M	1"	410x410x760	410x685x490
AF 80	80	10	-	1.5	400	815	480	765	1/2"F - 3/4" M	1"	410x410x860	410x775x490
AF 100	100	10	16	1.5	500	805	585	720	1/2"F - 3/4" M	1"	510x510x830	510x730x600
AF 150	150	10	-	1.5	500	1030	-	-	1/2"F - 3/4" M	1" 1/4	510x510x1040	-
AF 200	200	10	16	1.5	600	1065	665	970	1/2"F - 3/4" M	1" 1/4	610x610x1110	610x950x680
AF 300	300	10	16	1.5	650	1270	705	1130	1/2"F - 3/4" M	1" 1/4	660x660x1290	660x1140x720
AF 500	500	10	-	1.5	775	1420	-	-	1/2"F - 3/4" M	1" 1/4	785x785x1440	-



The **basic tank variocistern A** is equipped with an inlet socket (ø 50 mm) and an overflow (ø 100 mm). One variocistern A tank is required for every tank combination.

Now you can connect an appropriate number of **variocistern B** tanks to obtain a water storage facility of the desired capacity. The requisite total storage capacity for a household of four persons is approx. 3.000 – 10.000 litres, depending on the method and extent of use.

Basic tank – variocistern A

The variocistern A is equipped with a filling socket with internal pressure tube (NW 50) and a pressure tube for fresh water replenishment. In addition, it is equipped with an overflow outlet socket at which you can connect standard plastic tubes NW 100.

At the under part of the A tank are 3 connecting sockets (NW 50) fixed. These permit connection to an adjoining variocistern B tank to form a combination storage facility.

Expansion tank – variocistern B

The variocistern B has the same dimensions as the variocistern A, but no overflow outlet socket and pressure tubes.

A flexible connection tube, which is mounted to the inside of the central screw cap (ø 225 mm) is supplied with each variocistern B. With this tube, the tank can be connected to an adjoining A or B tank by one of the three lower connecting sockets.

Pump connecting set

Ref.No.: 19 30 00



Replenishment set

Ref.No.: 19 30 10



Water level indicator IDEAL-S

Connecting thread 1 1/2"

Display in cm.

Ref.No.: 19 30 20



Fresh water replenishment

In order to maintain the water supply e.g. if there is no rain for a longer period and the variocistern tanks become empty, a replenishment set can be installed permitting replenishment from the main water supply.

The replenishment set consists of a float switch and 220 V magnetic valve. The float switch is also mounted in the central screw cap of the A tank and is positioned approximately 5 cm below the float for the dry-running protection.

The main water supply is turned on and off by means of the magnetic valve. This water, how-ever, must not be led directly into one of the tanks but must be led into the master tank by way of the funnel supplied. The minimum distance between the main water outlet and the funnel has to be 2 cm.



variocistern 750



variocistern 1000

Storage capacity:	750 l x No. of tanks	1000 l x No. of tanks
Capacity per tank:	750 Litre	1000 Litre
Dimension per tank:	78 x 78 x 160 cm	78 x 78 x 190 cm
Warranty:	5 years warranty	5 years warranty
Insurance cover:	5 million Euro for personal injury and property damage	

Water level gauge

As the tanks are impervious to light, the water level in the storage system cannot be seen from the outside. If there is the need to check the water level, a special water level gauge can be installed. This is screw mounted to one of the two filling sockets on one of the tanks. There you can see the water level in the system in cm.