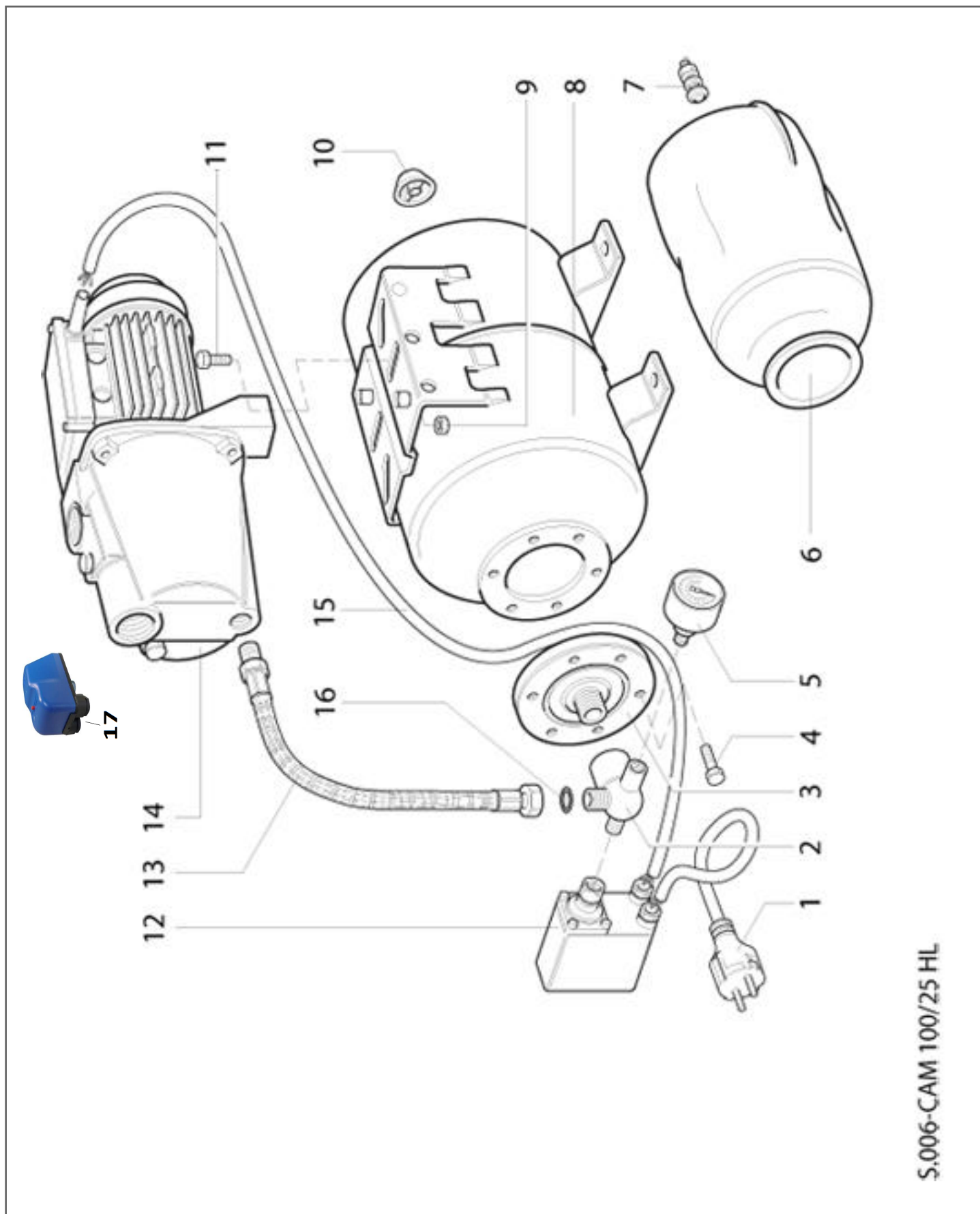


SCHEDA RICAMBIO: 101521530

Codice prodotto: 101521530 - Prodotto: CAM 100/25 HL



S.006-CAM 100/25 HL

SCHEMA RICAMBIO: 101521530

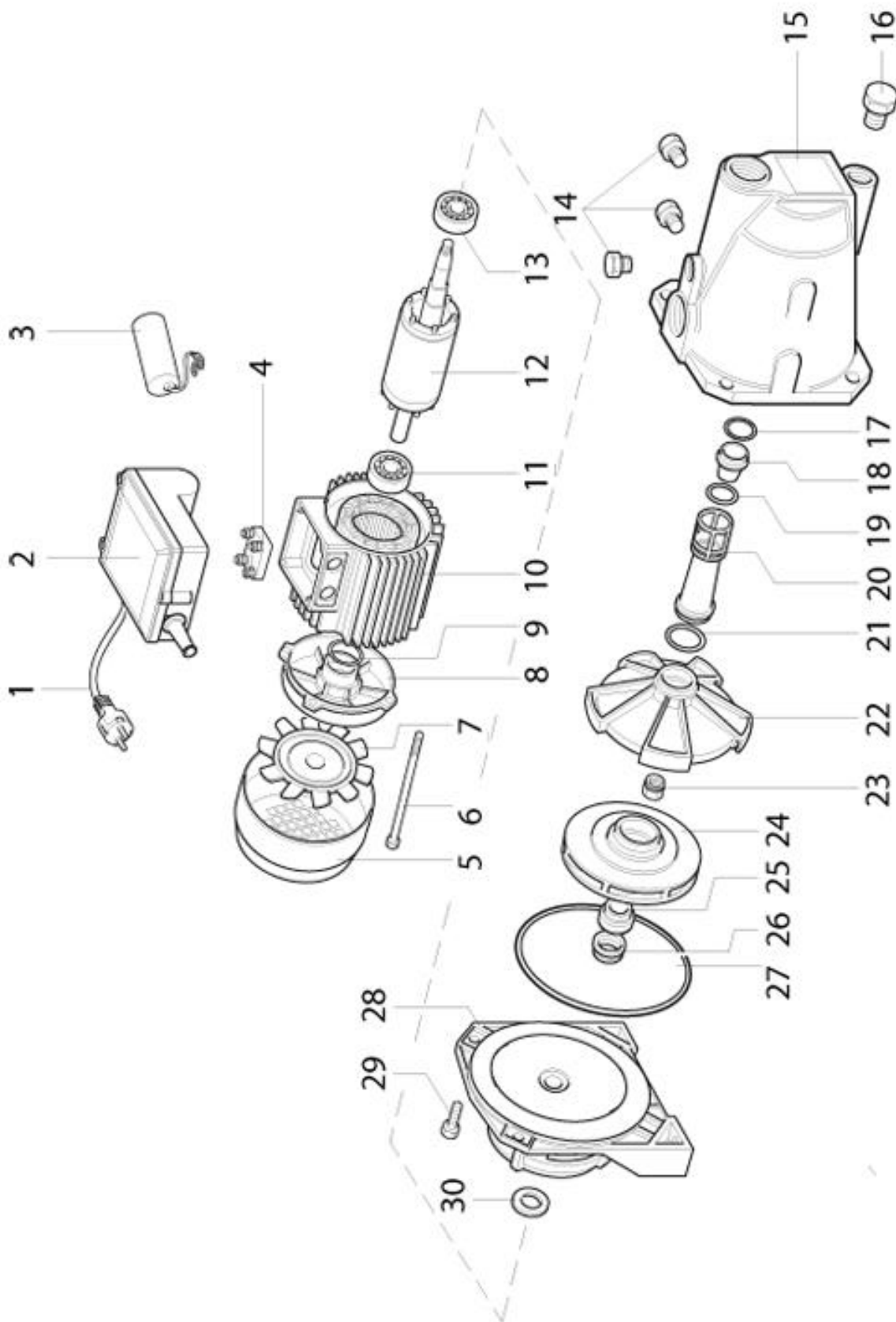
Codice prodotto: 101521530 - Prodotto: CAM 100/25 HL

Poz.	Šifra	Kol.	OPIS	Variante
1	7201394	1	Cable	
2	7106231	1	Connector	
3	7103109	1	Tank Flange	
4	0030861	6	Screw	
5	7104982	1	Manometer	
6	7102903	1	Membrana - Water bag	
7	7103110	1	Valve	
8	7106645	1	Tank	
9	7105281	2	Nut	
10	7103111	1	Valve cap	
11	7105280	2	Screw	
12	7108278	1	Pressure switch	
13	7106232	1	Flexible hose	
14	7108232	1	Electric pump	
15	7105370	1	Cable	
16	7250952	1	Gasket	
17	M61700048	1	Pressure switch LP/3 for dry running protection	

*** Napomena : kod upita obavezno navedite broj pozicije , opis tj. naziv rezervnog dijela te potrebnu količinu !!!

SCHEDA RICAMBIO: 101161330

Codice prodotto: 101161330 - Prodotto: CAM 100-HL



S.002-CAM 100 HL

SCHEMA RICAMBIO: 101161330

Codice prodotto: 101161330 - Prodotto: CAM 100-HL

Poz.	Šifra	Kol.	OPIS	Variante
1	8001029	1	Cable	
2	8001043	1	Terminal box cover	
3	8001033	1	Capacitor	
4	8001025	1	Terminal box	
5	8004055	1	Fan cover	
6	8001114	4	Screw	
7	8004057	1	Fan	
8	8004056	1	Shield	
9	8001115	1	Spring washer	
10	8004050	1	Stator	
11	8001116	1	Ball bearing	
12	8004051	1	Rotor	
13	8001116	1	Ball bearing	
14	8004070	3	Cap	
15	8004052	1	Pump body	
16	8004071	1	Cap	
17	8004064	1	O-ring	
18	8004062	1	Venturi nozzle	
19	8004072	1	O-ring	
20	8004061	1	Venturi tube	
21	8004074	1	O-ring	
22	8004060	1	Diffuser disk	
23	8002013	1	Nut	
24	8004066	1	Impeller	
25	8004058	1	Mechanical seal	
26	8004059	1	Mechanical seal	
27	8002017	1	O-ring	
28	8004054	1	Support	
29	8004073	4	Screw	
30	8002018	1	Packing	

*** Napomena : kod upita obavezno navedite broj pozicije , opis tj. naziv rezervnog dijela te potrebnu količinu !!!