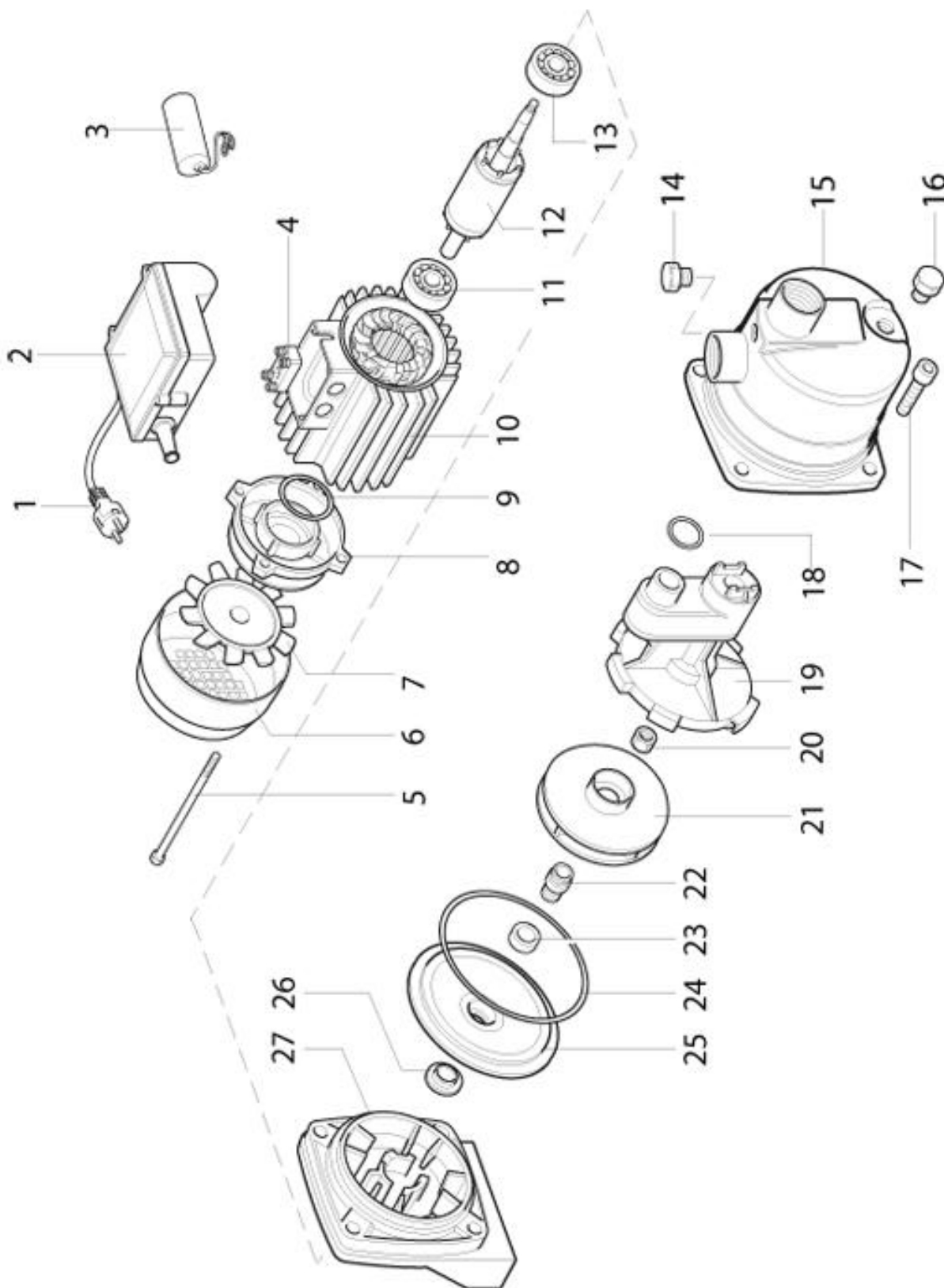


SCHEDA RICAMBIO: 101191460

Codice prodotto: 101191460 - Prodotto: CAM 88-HL



S.004-CAM 88 HL

SCHEMA RICAMBIO: 101191460

Codice prodotto: 101191460 - Prodotto: CAM 88-HL

Poz.	Šifra	Kol.	OPIS	Variante
1	8001028	1	Cable	
2	8001043	1	Terminal box cover	
3	8001033	1	Capacitor	
4	8001025	1	Terminal box	
5	8001021	4	Screw	
6	8005052	1	Fan cover	
7	8004057	1	Fan	
8	8005053	1	Shield	
9	8001115	1	Spring washer	
10	8005058	1	Stator	
11	8001116	1	Ball bearing	
12	8005060	1	Rotor	
13	8001116	1	Ball bearing	
14	8004075	1	Cap	
15	8005050	1	Stainless steel pump body	
16	8004071	1	Cap	
17	8005063	4	Screw	
18	8005056	1	O-ring	
19	8005054	1	Diffuser disk	
20	8002013	1	Nut	
21	8005062	1	Impeller Inox	
22	8004058	1	Mechanical seal	
23	8004059	1	Mechanical seal	
24	8005061	1	O-ring	
25	8005055	1	Flange	
26	8002018	1	Packing	
27	8005057	1	Support	

*** Napomena : kod upita obavezno navedite broj pozicije , opis tj. naziv rezervnog dijela te potrebnu količinu !!!