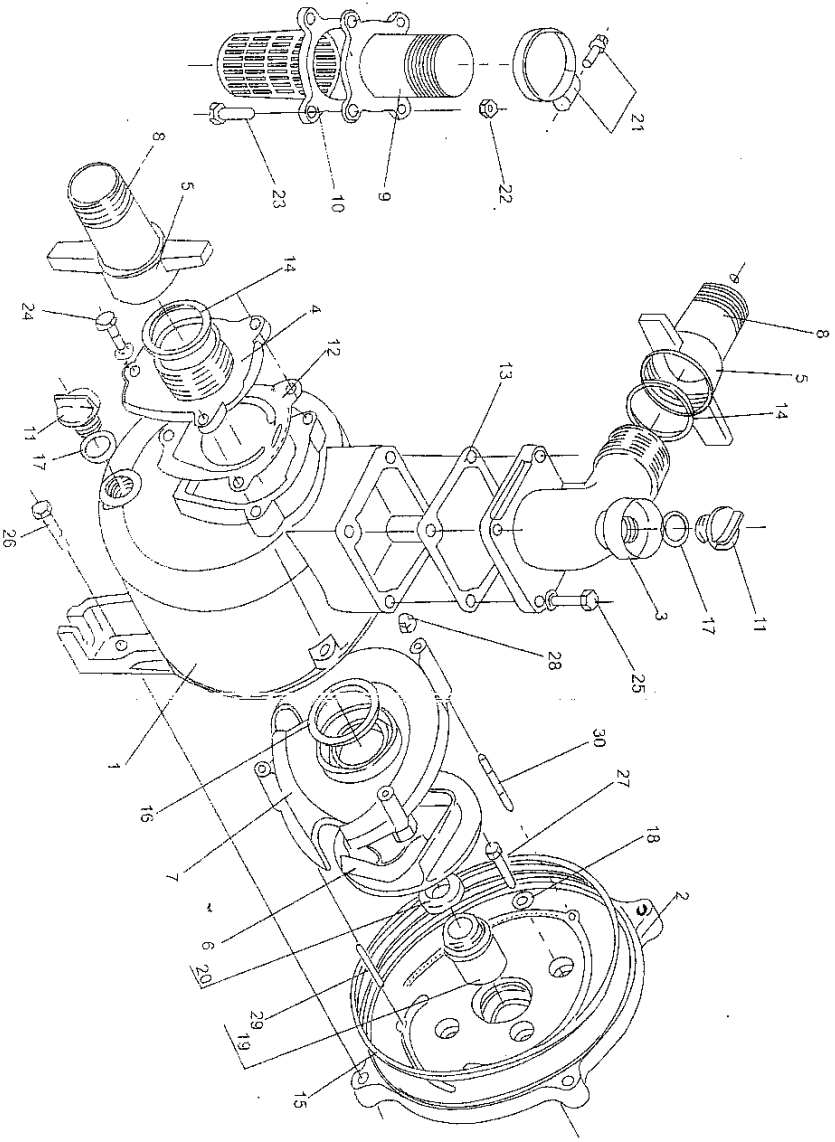




E.29861

parts list of 2 inch self-priming pump



No.	Code name	Description	Qty
1	P5002101	pump housing	1
2	P5002102	cover	1
3	P5002103	discharge flange	1
4	P5002104	inlet valve	1
5	P5002105	nut, connector	2
6	P5002106	propeller	1
7	P5002107	volute casing	1
8	P5002108	pipe connector	2
9	P5002302	filter connector	1
10	P5002303	filter	1
11	P5002304	priming cap	2
12	P5002401	check	1
13	P5002402	gasket, discharge flange	1
14	P5002403	gasket, inlet/outlet	2
15	P5002404	O-ring 218x3.55, cover	1
16	P5002405	O-ring 49x5.3, volute casing	1
17	P5002406	O-ring, priming cap	2
18	P5002407	bolt gasket, inlet valve	4
19	P5002510	mechanical seal	1
20	P5002520	rotating seal	1
21	P5002600	clip	3
22	1.MB06	nut M6, flange	4
23	1.SB06025	bolt M6x20, flange	4
24	1.SB08025	bolt M8x25, flange	3
25	1.SB08025	bolt M8x25, flange	4
26	1.SB08025	bolt M8x25, flange	4
27	1.SB08025	bolt M8x25, flange	4
28	1.ME06	coronary nut M6	3
29	1.ZA06038	double-ended stud AM6x38	2
30	1.ZA06050	double-ended stud AM6x50	1