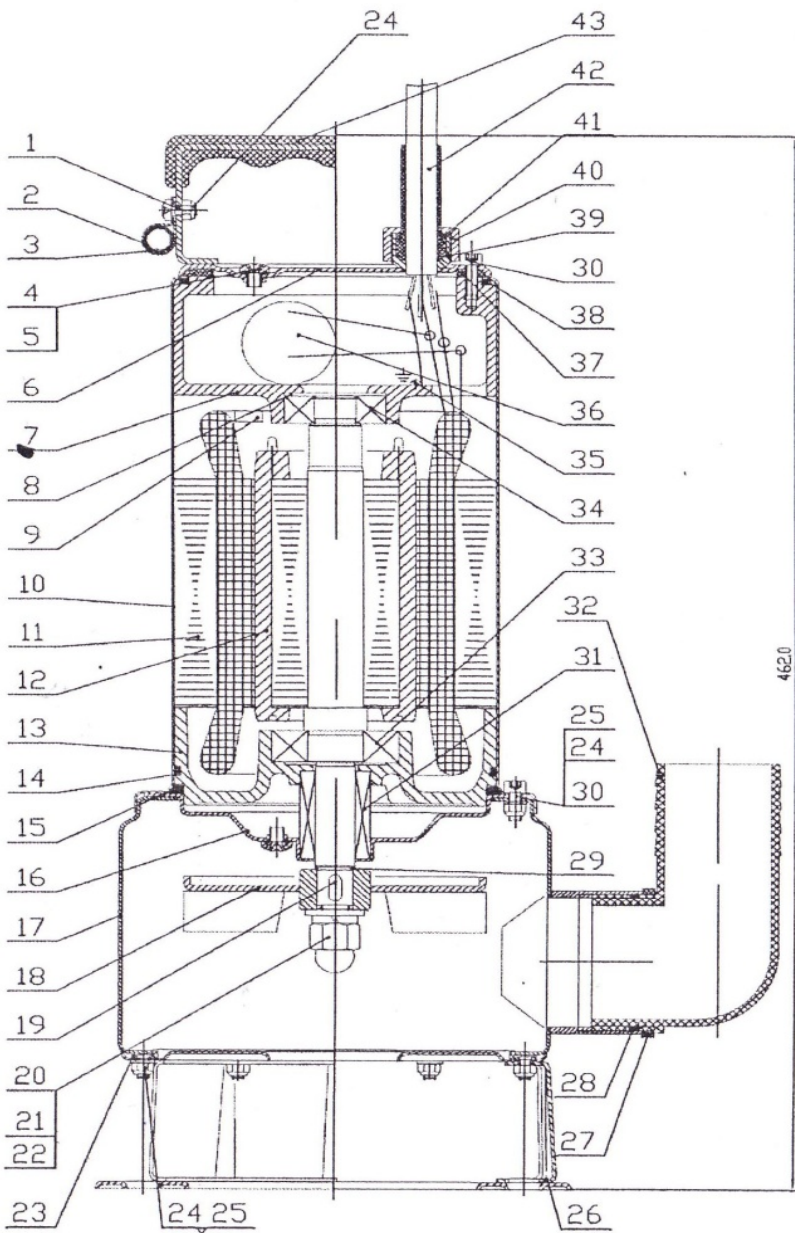


# AQUAPIU200M



POS.	DESCRIZIONE	q.ty
	DESCRIPTION	
1	Cross head screw	2
2	Cable clamp	2
3	Rubber cylinder	2
4	Cross head screw	2
5	O-ring	2
6	Pump cover	1
7	Upper bearing plate	1
8	Thermal protector	1
9	Wave washer	1
10	Motor housing	1
11	Stator	1
12	Rotor	1
13	Lower bearing plate	1
14	O-ring	1
15	O-ring	1
16	Oil chamber cover	1
17	Volute casing	1
18	Impeller	1
19	Key	1
20	Nut	1
21	Washer	1
22	Washer	1
23	Gasket	1
24	Locking nut	14
25	Washer	8
26	Base	1
27	Locking nut	1
28	O-ring	1
29	Clip ring	1
30	Screw	12
31	Mechanical seal	1
32	Discharge Elbow	1
33	Bearing	1
34	Bearing	1
35	Cross head screw	1
36	Capacitor	
37	Gasket	1
38	O-ring	1
39	Socket	1
40	Pressing nut	2
41	Pressing washer	2
42	Cable cord	1
43	Handle	1
44	Float switch	

