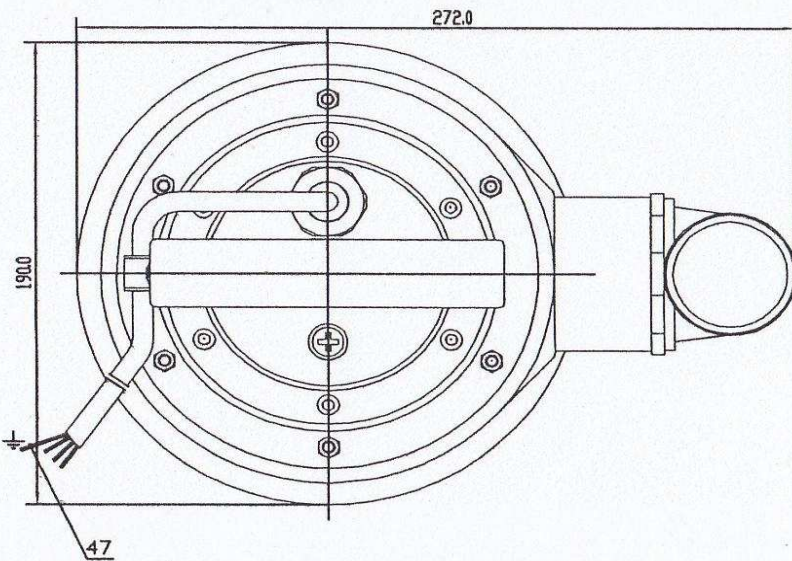
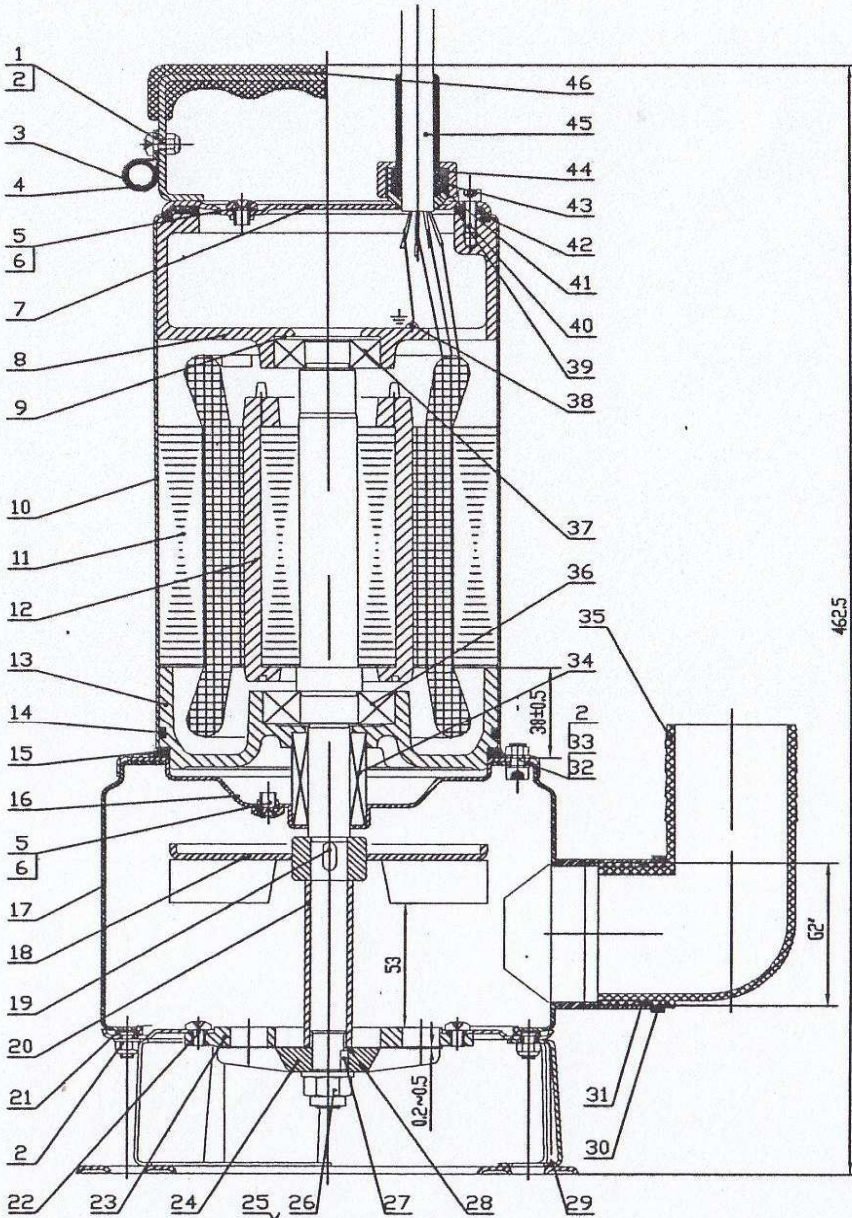


AQUAPIU with Grinder



POS.	DESCRIZIONE DESCRIPTION	N° pz
1	Cross head screw	1
2	Nut	13
3	Cable clamp	1
4	Rubber cylinder	1
5	Cross head screw	2
6	O-ring	2
7	Pump cover	1
8	Upper bearing plate	1
9	Wave washer	1
10	Motor housing	1
11	Stator	1
12	Rotor	1
13	Lower bearing plate	1
14	O-ring	1
15	O-ring	1
16	Oil chamber	1
17	Volute casing	1
18	Impeller	1
19	Key	1
20	Shaft sleeve	1
21	Gasket	1
22	Cross head screw	6
23	Shredding ring	1
24	Radial cutter	1
25	Washer	1
26	Nut	1
27	Key	1
28	Adjustable washer	
29	Foot support	1
30	Locking nut	1
31	O-ring	1
32	Screw	6
33	Washer	6
34	Mechanical seal	1
35	Elbow discharge	1
36	Bearing	1
37	Bearing	1
38	Cross head screw	1
39	Gasket	1
40	Screw	6
41	Socket	1
42	O-ring	1
43	Pressing nut	1
44	Pressing washer	1
45	Cable cord	1
46	Handle	1
47		