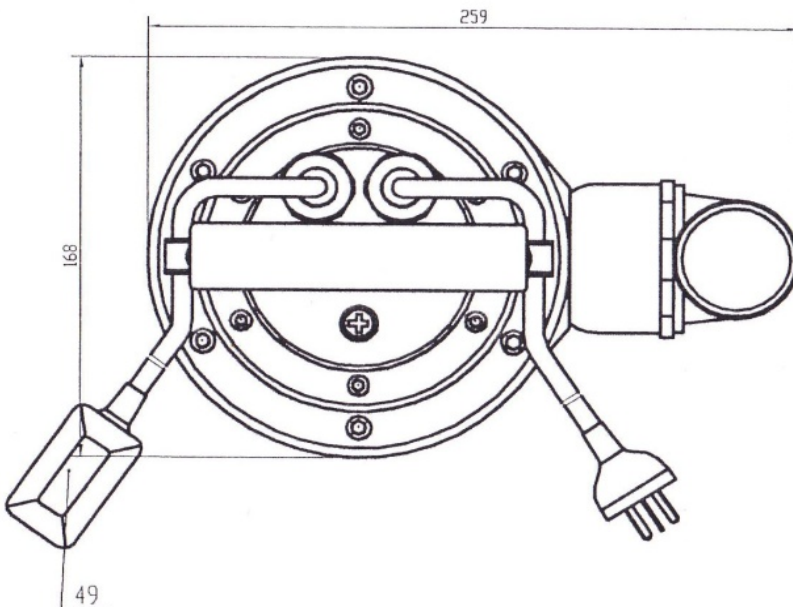
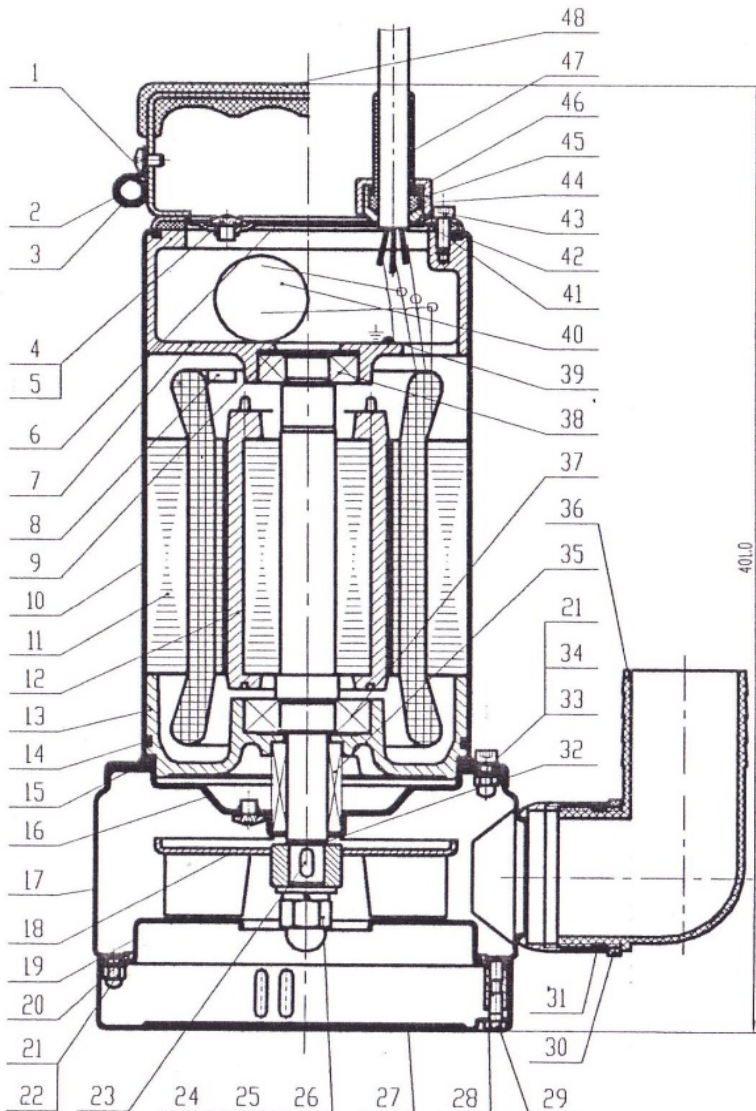


# AQUAFLU150M



POS.	DESCRIZIONE	q.ty
	DESCRIPTION	
1	Cross head screw	2
2	Cable clips	2
3	Cable sheath	2
4	Cross head screw	2
5	O-ring	2
6	Pump cover	1
7	Upper bearing plate	1
8	Thermal protector	1
9	Wave washer	1
10	Motor housing	1
11	Stator	1
12	Rotor	1
13	Lower bearing plate	1
14	O-ring	1
15	O-ring	1
16	Oil chamber cover	1
17	Volute casing	1
18	Impeller	1
19	Impeller cover	1
20	Gasket	1
21	Nut	11
22	Washer	5
23	Key	1
24	Washer	1
25	Washer	1
26	Nut	1
27	Strainer	1
28	Nut	3
29	Head bolt	3
30	Locking nut	1
31	O-ring	1
32	Clip ring	1
33	Screw	6
34	Washer	6
35	Mechanical seal	1
36	Elbow discharge	1
37	Bearing	1
38	Bearing	1
39	Cross head screw	1
40	Capacitor	
41	Gasket	1
42	O-ring	1
43	Screw	6
44	Socket	1
45	Pressing nut	1
46	Pressing washer	1
47	Cable cord	1
48	Handle	1
49	Float switch	